

LeafNut® Wireless Controls

UNIFORM PULSE START METAL HALIDE LIGHTING SYSTEMS

DATA SHEET



VENTURE
LIGHTING

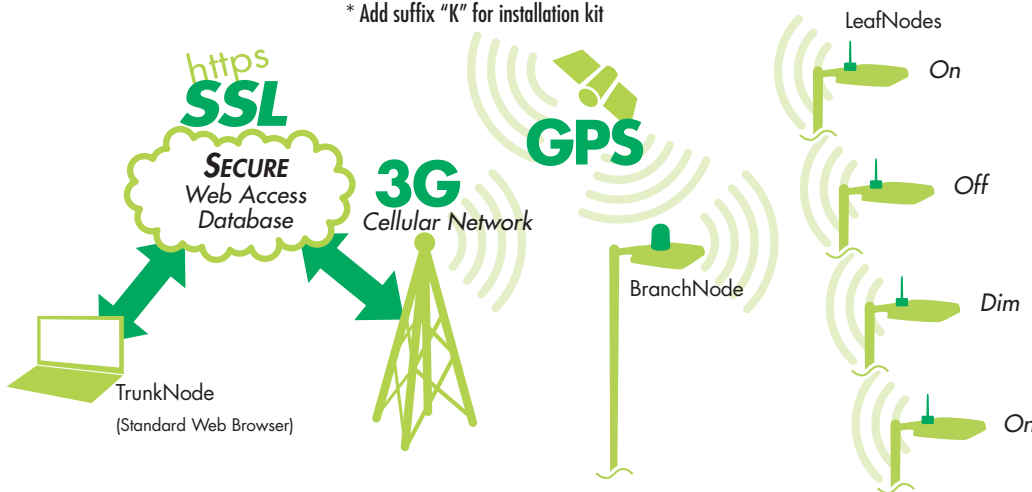


LeafNode2 LN-DRA-G3-915*

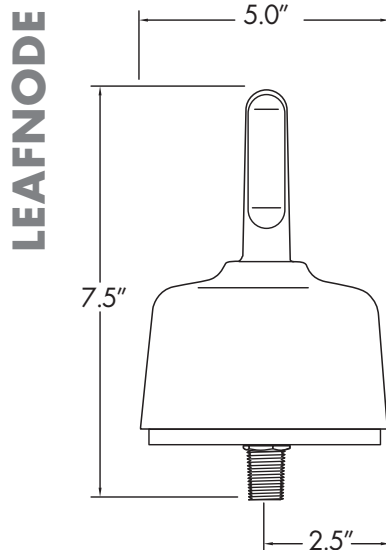
LeafNode	
Luminaire Mounting	Non-metallic threaded nipple with UV foam gasket seal
Environment Protection	Weatherproof NEMA 4 enclosure IP65
Housing Material	Rugged polycarbonate
Operating temperature range	-20°C to +55°C
Leaf Communication	Radio frequency, pseudo random channel hopping
Operating Frequency	915 MHz FM narrow band - long distance
Range	Distance line of sight 5 miles (8Km) or urban 0.6 miles (1Km)
Compliance	FCC Part 15; IC Canada; cULus Listed
Power Requirements	120-277VAC 50/60Hz or 480V ballast with 120V tap

- Every light fixture must contain one LeafNode
- Bi-Level dimming of HID
- On/Off via timed, photocell or solar clock
- Power reporting
- * Add suffix "K" for installation kit

- HID CWA Pulse
- HID CWA Pulse with Dim
- LED Step Dim



IC



Requires BranchNode
BN-DRA-G3-915 to operate



(800) 451-2606
or (440) 248-3510
Fax: (800) 451-2605
7905 Cochran Road
Glenwillow, Ohio 44139 USA
E-mail: venture@adlt.com
VentureLighting.com