

# LeafNut® Wireless Controls

LIGHTING SOLUTIONS FROM VENTURE LIGHTING INTERNATIONAL

**DATA SHEET**



**VENTURE**  
**LIGHTING**

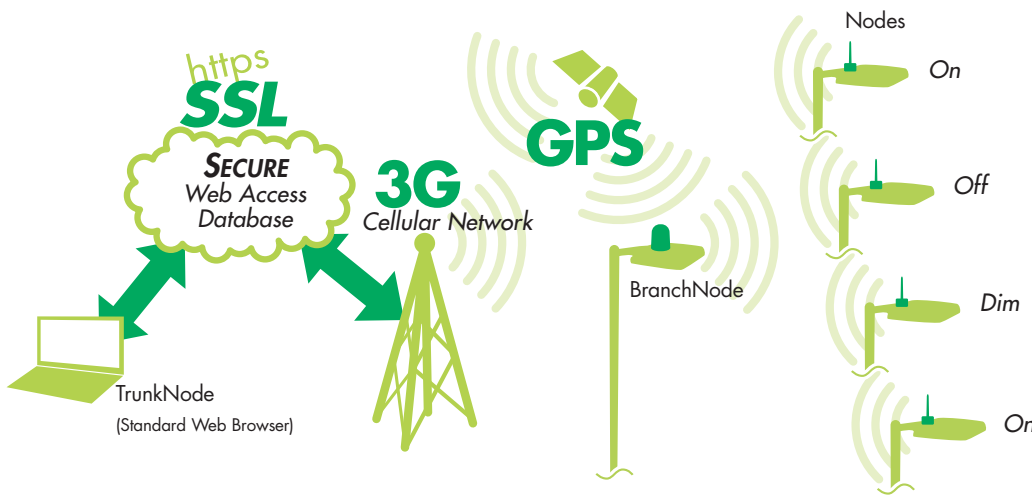
**LeafNut**

## UniNode UNI-G3-915-N7

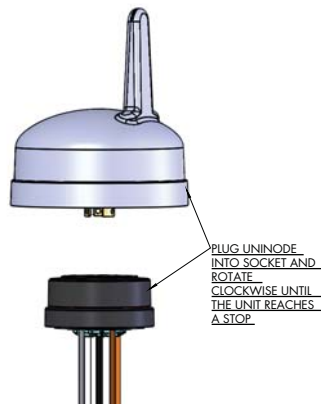
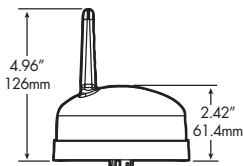
<b>UniNode</b>	
Luminaire Mounting	5-7 Pin NEMA Socket - Twist-lock - ANSI C136.41
Environment Protection	Weatherproof NEMA 4 enclosure IP66
Housing Material	Rugged polycarbonate
Operating temperature range	-40°C to +55°C
Leaf Communication	Radio frequency, pseudo random channel hopping
Operating Frequency	915 MHz FM narrow band - long distance
Range	Distance line of sight 5 miles (8Km) or urban 0.6 miles (1Km)
Power Requirements	120-277VAC 50/60Hz
Max LED Load Rating:	10A/120Vac & 5A/208-277Vac

- Every light fixture must contain one UniNode
  - On/Off via timed, photocell or solar clock
  - Power reporting
- Compliance: cULus Listed, FCC Part 15

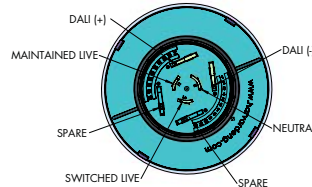
- Dali dimming
- 0-10V analogue dimming
- 1-10V analogue dimming
- Controls up to 4 matched LED drivers



**UNINODE**



PLUG UNINODE INTO SOCKET AND ROTATE CLOCKWISE UNTIL THE UNIT REACHES A STOP.



Function	Wire Colour
DALI -	Grey
DALI +	Violet
LIVE IN	Black
LIVE OUT (Switched)	Red
NEUTRAL	White
SPARE 1	Brown
SPARE 2	Orange

**(800) 451-2606**  
**or (440) 248-3510**  
Fax: (800) 451-2605  
2451 Enterprise Parkway East  
Twinsburg, OH 44087 USA  
E-mail: [venture@adlt.com](mailto:venture@adlt.com)  
**VentureLighting.com**

Requires BranchNode  
BN-DRA-G3-915 to operate

