

210 Watt RIO Area Type III Lamp Module

RIO: RETROFIT INTEGRATED OPTICS METAL HALIDE SYSTEM FOR STREET AND AREA LIGHTING

DATA SHEET



SUPER PULSE START
Ceramic (SPC)
 Ceramic Metal Halide

RIO 210W/T9/942/TYP3-AR/CM

GENERAL Characteristics

| | |
|--------------------|----------------------|
| Lamp Type | Ceramic Metal Halide |
| ANSI Code | C183/E |
| Base Type | N/A |
| Bulb Finish | Clear |
| Rated Life | 30000 hours |
| Operating Position | Horizontal |
| Dimming | N/A |

PHOTOMETRIC

| | |
|------------------------------------|-----------------------|
| Initial Lumens | 23000 |
| Scotopic Lumens (S/P 1.7) | 39000 |
| Lumens Per Watt | 110 |
| Lamp Lumen Depreciation (LLD) | 0.89 (89%) @12000 hrs |
| Correlated Color Temperature | 4200K |
| Chromaticity Coordinates (CIE-x,y) | .373 .366 |
| Color Rendering Index (CRI) | 90 |
| Light Distribution | IES Type III |

PHYSICAL

| | |
|----------------|--------------------|
| Dimensions | See Diagrams Below |
| Luminaire Type | Enclosed Rated |

KIT ORDERING

| | |
|--------------------------------|------------------------------------|
| Kit Order Code: RIO1946 | electronic ballast (208-240) |
| Kit Order Code: RIO1471 | electronic ballast (277) |
| Kit Order Code: RIO6433 | magnetic ballast (120/208/240/277) |
| Kit Order Code: RIO6375 | magnetic ballast (480) |

ELECTRICAL

| | |
|---------------------------|-----|
| Lamp Watts | 210 |
| Lamp Oper. Voltage (Nom.) | 100 |

SUSTAINABILITY

| | |
|-------------------|------------------------|
| Recycling Program | Smartpac® 800-451-2606 |
|-------------------|------------------------|

OPTICS

Free formed SUPRAX™ optics with ultra smooth glass surfaces and dichroic anti-frost coating

NOTES

Lamp performance ratings published in this data sheet are based on operation with approved magnetic ballasts. To calculate nighttime Scotopic lumens, multiply the lumen rating by the S/P ratio.

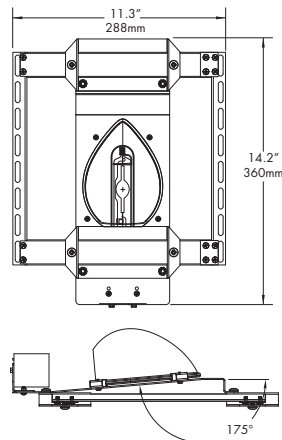
Kit includes lamp module, MH lamp, ballast and ballast mounting strap

Electronic ballast kits include external surge protection

Patented Design

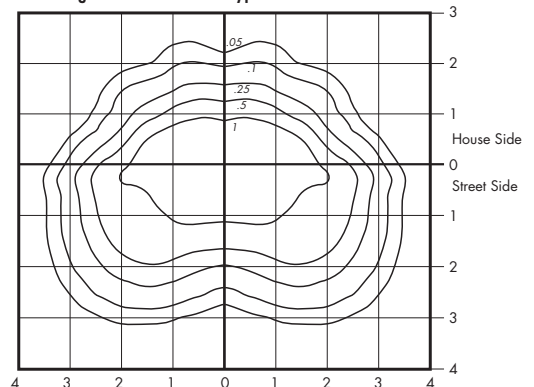
Revision Date: 1/22/15

Production Status: Production



Width = 11.3" - 19" (288mm)
 Height = 14.2" (360mm)
 Depth = 3.75" (95mm)
 Base = None

210W Light Distribution: IES Type III



Full Cutoff Area Luminaire | Clear Flat Lens | 30 Foot Mounting Height

(800) 451-2606
or (440) 248-3510

Fax: (800) 451-2605
 7905 Cochran Road
 Glenwillow, Ohio 44139 USA
 E-mail: venture@adlt.com
VentureLighting.com



VENTURE
LIGHTING

Ventronic™

Electronic Ballast for 210W

MECHANICAL Specifications

| | |
|-------------------------|-------------------|
| Weight | 4.50lbs (2.04kg) |
| Case Dimensions | See Diagram Below |
| Remote Operation (Max.) | 6ft (2.0m) |

THERMAL Specifications

| | |
|-------------------------------|--------------|
| Maximum Case Temperature (Tc) | 185°F (85°C) |
| Minimum Starting Temperature | -4°F (-20°C) |

REGULATORY Specifications

| | |
|------------------|-----------------------|
| Regulatory Marks | UL CSA EISA Compliant |
|------------------|-----------------------|

INPUT

| | |
|---------------------|-----------------------|
| Input Voltage Range | 200-277 |
| Frequency | 50/60Hz |
| Power Factor (Min.) | 0.90 |
| Input Connection | Side exit leads |
| Input Current | 1.2A@200V; 0.82A@277V |
| Input Power | 229W@200V; 227W@277V |

OUTPUT

| | |
|-----------------|----------|
| Ignitor Voltage | 4 kV Max |
|-----------------|----------|

ANSI Codes

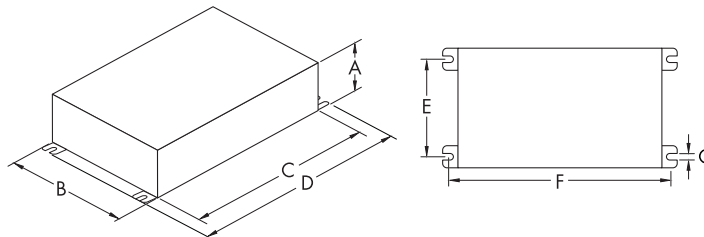
| | |
|-----------|------|
| 210W Lamp | C183 |
|-----------|------|

NOTES

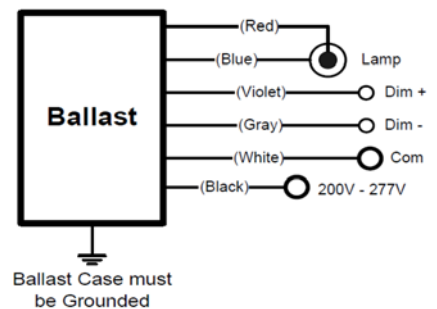
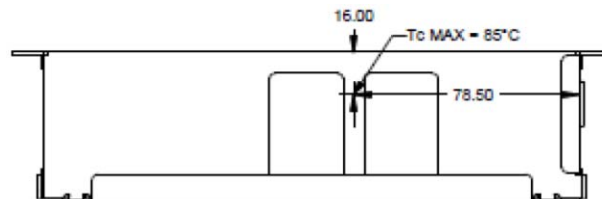
- Use of an external surge suppression device is recommended for outdoor use
- All leads are 11" long +/- 1"
- Ballast output will shutdown after 20 minutes if lamp fails to ignite
- Power must be cycled off - then on, after replacing lamp
- Ballast automatically operates lamp at 100% power for 10 minutes before allowing lamp to dim. 30 seconds fade to 50%, 3 seconds up to 100%
- Minimum dimming level = 50% of nominal lamp power
- Maximum dimming control current is 0.5 mA per ballast
- See case TC location in diagram below

| | |
|-------------------|------------|
| Revision Date | 12/11/2014 |
| Production Status | Active |

VEN6



Case height = 2.2" (56mm)
 Case width = 4.9" (124mm)
 Case length = 7.5" (191mm)
 Overall length = 8.2" (208mm)
 Mounting width = 3.4" (86mm)
 Mounting length = 7.7" (196mm)



(800) 451-2606
or (440) 248-3510

Fax: (800) 451-2605
 7905 Cochran Road
 Glenwillow, Ohio 44139 USA
 E-mail: venture@adlt.com
VentureLighting.com



EISA Compliant

Data is based on tests performed in a controlled environment and is representative of relative performance. Actual performance can vary depending on operating conditions. Specifications are subject to change without notice. All specifications are nominal unless otherwise noted.