

125 Watt RIO Area Type III Lamp Module

RIO: RETROFIT INTEGRATED OPTICS METAL HALIDE SYSTEM FOR STREET AND AREA LIGHTING

DATA SHEET



SUPER PULSE START
Long Life (SPL)
 Extended Life Lamp Series

RIO 125W/ED17/740/TYP3-AR/CM

GENERAL Characteristics

Lamp Type	MH Pulse Start Single Ended
ANSI Code	M150/E
Base Type	N/A
Bulb Finish	Clear
Rated Life	30000 hours
Operating Position	Horizontal
Dimming	N/A

PHOTOMETRIC

Initial Lumens	12000
Scotopic Lumens (S/P 1.7)	20400
Lumens Per Watt	96
Lamp Lumen Depreciation (LLD)	0.75 (75%) @12000 hrs
Correlated Color Temperature	4000K
Chromaticity Coordinates (CIE-x,y)	.385 .390
Color Rendering Index (CRI)	68
Light Distribution	IES Type III

PHYSICAL

Dimensions	See Diagrams Below
Luminaire Type	Enclosed Rated

KIT ORDERING

Kit Order Code:	RI07812 magnetic ballast (120V/208/240/277V)
Kit Order Code:	RI03741 magnetic ballast (120/277/347)
Kit Order Code:	RI02347 magnetic ballast (480)

ELECTRICAL

Lamp Watts	125
Lamp Oper. Voltage (Nom.)	125

SUSTAINABILITY

Recycling Program	Smartpac® 800-451-2606
-------------------	------------------------

OPTICS

Free formed SUPRAX™ optics with ultra smooth glass surfaces and dichroic anti-frost coating

NOTES

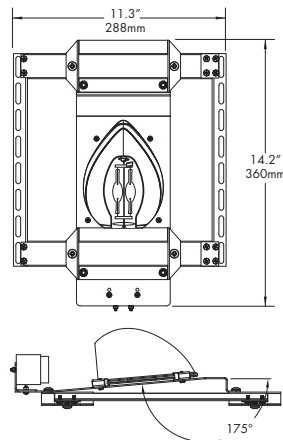
Lamp performance ratings published in this data sheet are based on operation with approved magnetic ballasts. To calculate nighttime Scotopic lumens, multiply the lumen rating by the S/P ratio.

Kit includes lamp module, MH lamp, ballast and ballast mounting strap

Patented Design

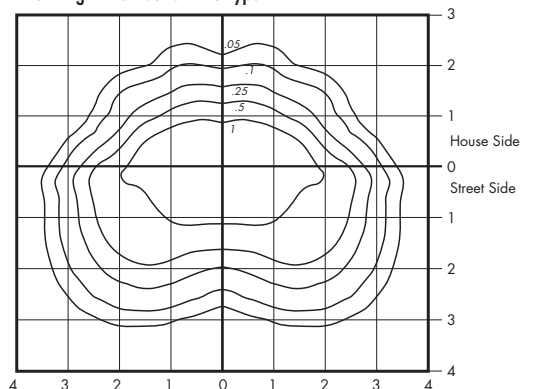
Revision Date: 1/22/15

Production Status: Production



Width = 11.3" - 19" (288mm)
 Height = 14.2" (360mm)
 Depth = 3.75" (95mm)
 Base = None

140W Light Distribution: IES Type III



Full Cutoff Area Luminaire | Clear Flat Lens | 25 Foot Mounting Height

(800) 451-2606
or (440) 248-3510

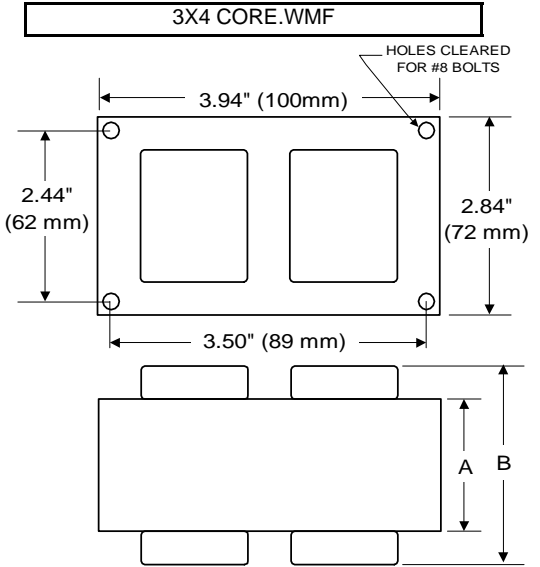
Fax: (800) 451-2605
 7905 Cochran Road
 Glenwillow, Ohio 44139 USA
 E-mail: venture@adlt.com
VentureLighting.com



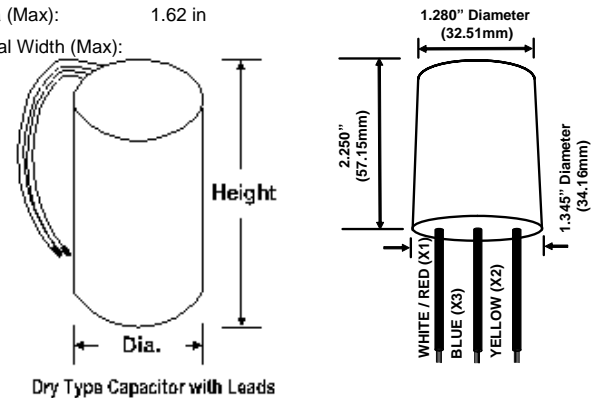
BALLAST SPECIFICATION

125W M150
Pulse Start Metal Halide
V90Y8811T
60 Hz CWA C&C

Input Volts	480
Line Current (Amps)	
Operating	0.35
Open Circuit	0.25
Starting	0.20
Recommended Fuse (Amps)	1
Regulation	
Line Volts	±10%
Lamp Watts	±10%
Temperature Ratings	
Insulation Class	180 (H)
Coil Temperature Code	A
Benchtop Coil Rise	66.2
Power Factor (%) HPF	90
Input Watts	153 W
Efficiency	82.0%
NOM. Open Circuit Voltage	225
Input Voltage At Lamp Dropout	300
Min Ambient Starting Temp	-20°F/-30°C*
60 HZ TEST PROCEDURES	
High Potential Test (Volts)	
1 Minute	2,000 V
1 Second	2,400 V
Open Circuit Voltage Test (V)	200 - 250
Short Circuit Current Test (A)	
Secondary Current	Min 1.35 Max 1.75
Input Current	Min 0.05 Max 0.15
CORE and COIL Specifications	
Dimension (A)	1.70 in
Dimension (B)	3.15 in
Weight	5.4 lb's
Lead Lengths	12 "
Capacitor Requirement	
Microfarads	12.0 uf
Volts (Min)	280 V



Capacitor:	ACG321	Ignitor:	BVS-031
Microfarads:	12.0 uf	Case Temp (Max):	105 °C
Volts (Max):	330 V	BTL Distance (Max)	2 ft
Case Temp (Max)	100 °C		
Height (Max):	2.76 in		
Dia (Max):	1.62 in		
Oval Width (Max):			

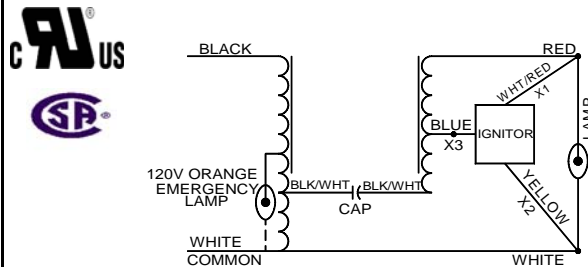


Ordering Information Add Suffix for options
C - With Dry Capacitor
CB - With Dry Capacitor and Welded Bracket
B - With Welded Bracket, no Capacitor
K - Prewired, with Dry Capacitor and Bracket Kit

* -40°F/-40°C Min Ambient Starting Temp with Venture Lamp

Data is based upon tests performed by Venture Lighting in a controlled environment and is representative of relative performance. Actual performance can vary depending on operating conditions. Specifications are subject to change without notice.

9/11/2013 **Production** Coil material: primary Cu and secondary Cu



RoHS