

100 Watt RIO Area Type III Lamp Module

RIO: RETROFIT INTEGRATED OPTICS METAL HALIDE SYSTEM FOR STREET AND AREA LIGHTING

DATA SHEET



SUPER PULSE START
Long Life (SPL)
 Extended Life Lamp Series

RIO 100W/ED17/740/TYP3-AR/E39

GENERAL Characteristics

Lamp Type	MH Pulse Start Single Ended
ANSI Code	M90/E
Base Type	Mogul (E39)
Bulb Finish	Clear
Rated Life	30000 hours
Operating Position	Horizontal
Dimming	N/A

PHOTOMETRIC

Initial Lumens	9000
Scotopic Lumens (S/P 1.7)	15300
Lumens Per Watt	90
Lamp Lumen Depreciation (LLD)	0.75 (75%) @12000 hrs
Correlated Color Temperature	4000K
Chromaticity Coordinates (CIE-x,y)	.385 .390
Color Rendering Index (CRI)	68
Light Distribution	IES Type III

PHYSICAL

Dimensions	See Diagrams Below
Luminaire Type	Enclosed Rated

KIT ORDERING

Kit Order Code: **RIO2817** magnetic ballast (120V/208/240/277V)
 Kit Order Code: **RIO4923** magnetic ballast (120/277/347)

ELECTRICAL

Lamp Watts	100
Lamp Oper. Voltage (Nom.)	100

SUSTAINABILITY

Recycling Program Smartpac® 800-451-2606

OPTICS

Free formed SUPRAX™ optics with ultra smooth glass surfaces and dichroic anti-frost coating

NOTES

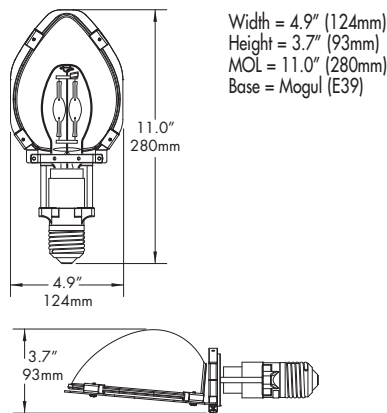
Lamp performance ratings published in this data sheet are based on operation with approved magnetic ballasts. To calculate nighttime Scotopic lumens, multiply the lumen rating by the S/P ratio.

Kit includes lamp module, MH lamp, ballast and ballast mounting strap

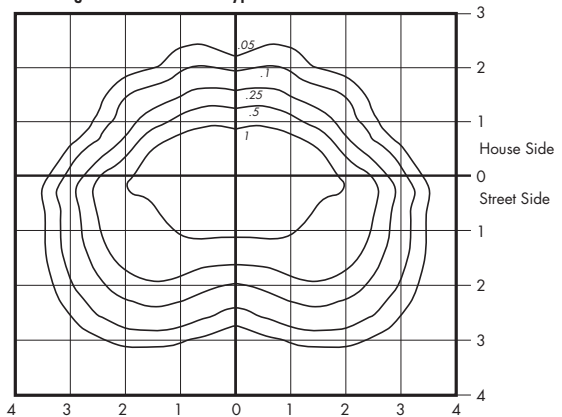
Patented Design

Revision Date: 1/22/15

Production Status Production



140W Light Distribution: IES Type III



Full Cutoff Area Luminaire | Clear Flat Lens | 25 Foot Mounting Height

(800) 451-2606
or (440) 248-3510

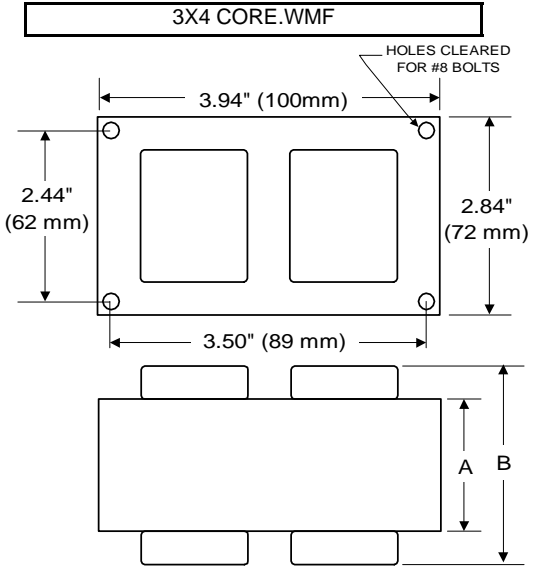
Fax: (800) 451-2605
 7905 Cochran Road
 Glenwillow, Ohio 44139 USA
 E-mail: venture@adlt.com
VentureLighting.com



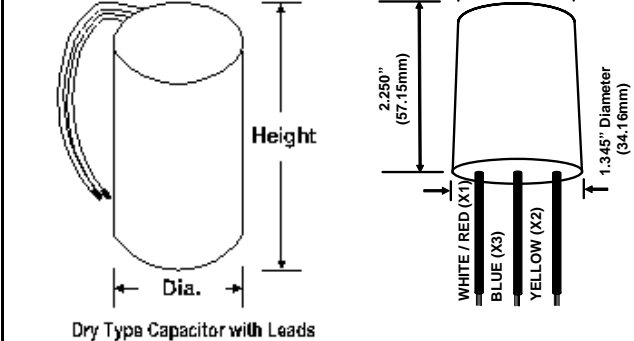
BALLAST SPECIFICATION

100W M90
Pulse Start Metal Halide
V90D5932
60 Hz HX C&C

Input Volts	120	208	240	277
Line Current (Amps)				
Operating	1.10	0.65	0.55	0.50
Open Circuit	2.60	1.50	1.30	1.15
Starting	1.00	0.60	0.50	0.45
Recommended Fuse (Amps)	7	4	4	3
Regulation				
Line Volts	±5%	±5%	±5%	±5%
Lamp Watts	±10%	±10%	±10%	±10%
Temperature Ratings				
Insulation Class	180 (H)	180 (H)	180 (H)	180 (H)
Coil Temperature Code	A	A	A	A
Benchtop Coil Rise	70.1	69.8	65.9	71.8
Power Factor (%) HPF	90	90	90	90
Input Watts	124 W	124 W	124 W	124 W
Efficiency	81.0%	81.0%	81.0%	81.0%
NOM. Open Circuit Voltage	270	270	270	270
Input Voltage At Lamp Dropout	80	140	160	185
Min Ambient Starting Temp	-20°F/-30°C*	-20°F/-30°C*	-20°F/-30°C*	-20°F/-30°C*
60 HZ TEST PROCEDURES				
High Potential Test (Volts)				
1 Minute	1,600 V	1,600 V	1,600 V	1,600 V
1 Second	1,900 V	1,900 V	1,900 V	1,900 V
Open Circuit Voltage Test (V)	240 - 300	240 - 300	240 - 300	240 - 300
Short Circuit Current Test (A)				
Secondary Current				
Min	1.20	1.20	1.20	1.20
Max	1.50	1.50	1.50	1.50
Input Current				
Min	0.40	0.25	0.20	0.15
Max	0.75	0.45	0.40	0.35
CORE and COIL Specifications				
Dimension (A)	1.70 in	1.70 in	1.70 in	1.70 in
Dimension (B)	3.10 in	3.10 in	3.10 in	3.10 in
Weight	5.2 lb's	5.2 lb's	5.2 lb's	5.2 lb's
Lead Lengths	12 "	12 "	12 "	12 "
Capacitor Requirement				
Microfarads	12.0 uf	12.0 uf	12.0 uf	12.0 uf
Volts (Min)	280 V	280 V	280 V	280 V



Capacitor:	ACG321	Ignitor:	BVS-032
Microfarads:	12.0 uf	Case Temp (Max):	105 °C
Volts (Max):	330 V	BTL Distance (Max)	2 ft
Case Temp (Max)	100 °C		
Height (Max):	2.76 in		
Dia (Max):	1.62 in		
Oval Width (Max):			

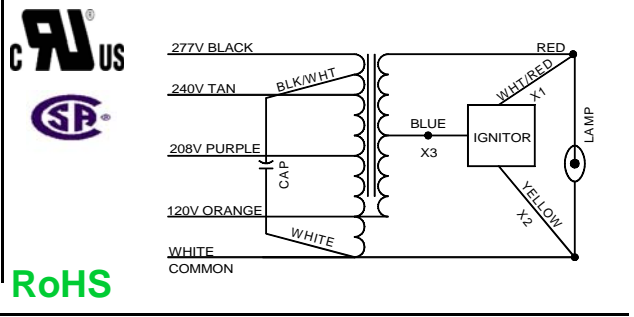


Ordering Information Add Suffix for options
 C - With Dry Capacitor
 CB - With Dry Capacitor and Welded Bracket
 B - With Welded Bracket, no Capacitor
 K - Prewired, with Dry Capacitor and Bracket Kit

* -40°F/-40°C Min Ambient Starting Temp with Venture Lamp

Data is based upon tests performed by Venture Lighting in a controlled environment and is representative of relative performance. Actual performance can vary depending on operating conditions. Specifications are subject to change without notice.

9/11/2013 **Production** Coil material: primary Cu and secondary Al



RoHS