

# 125 Watt RIO Area Type III Lamp Module

RIO: RETROFIT INTEGRATED OPTICS METAL HALIDE SYSTEM FOR STREET AND AREA LIGHTING

## DATA SHEET



**SUPER PULSE START**  
**Long Life (SPL)**  
 Extended Life Lamp Series

## RIO 125W/ED17/740/TYP3-AR/E39

### GENERAL Characteristics

Lamp Type	MH Pulse Start Single Ended
ANSI Code	M150/E
Base Type	Mogul (E39)
Bulb Finish	Clear
Rated Life	30000 hours
Operating Position	Horizontal
Dimming	N/A

### PHOTOMETRIC

Initial Lumens	12000
Scotopic Lumens (S/P 1.7)	20400
Lumens Per Watt	96
Lamp Lumen Depreciation (LLD)	0.75 (75%) @12000 hrs
Correlated Color Temperature	4000K
Chromaticity Coordinates (CIE-x,y)	.385 .390
Color Rendering Index (CRI)	68
Light Distribution	IES Type III

### PHYSICAL

Dimensions	See Diagrams Below
Luminaire Type	Enclosed Rated

### KIT ORDERING

Kit Order Code:	<b>RI01367</b> magnetic ballast (120V/208/240/277V)
Kit Order Code:	<b>RI03045</b> magnetic ballast (480)
Kit Order Code:	<b>RI07316</b> magnetic ballast (120/277/347)

### ELECTRICAL

Lamp Watts	125
Lamp Oper. Voltage (Nom.)	125

### SUSTAINABILITY

Recycling Program	Smartpac® 800-451-2606
-------------------	------------------------

### OPTICS

Free formed SUPRAX™ optics with ultra smooth glass surfaces and dichroic anti-frost coating

### NOTES

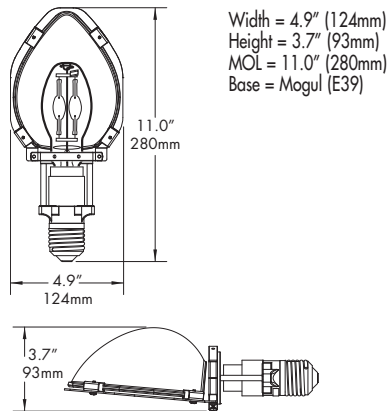
Lamp performance ratings published in this data sheet are based on operation with approved magnetic ballasts. To calculate nighttime Scotopic lumens, multiply the lumen rating by the S/P ratio.

Kit includes lamp module, MH lamp, ballast and ballast mounting strap

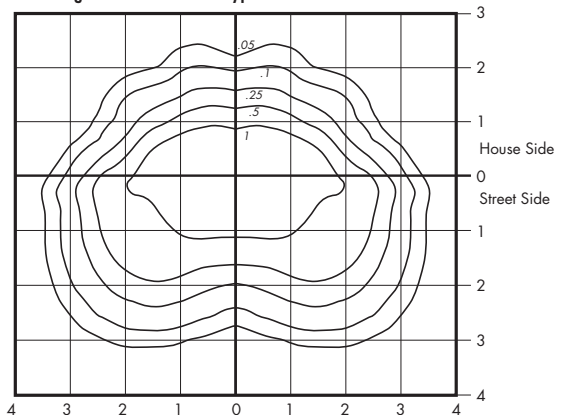
Patented Design

Revision Date: 1/22/15

Production Status: Production



140W Light Distribution: IES Type III



Full Cutoff Area Luminaire | Clear Flat Lens | 25 Foot Mounting Height

**(800) 451-2606**  
**or (440) 248-3510**

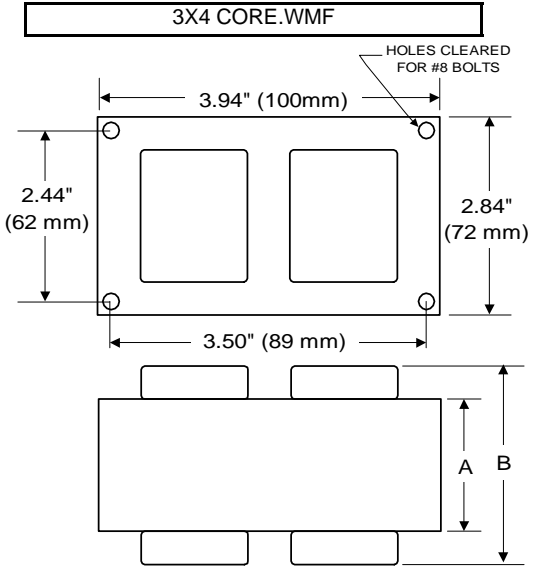
Fax: (800) 451-2605  
 7905 Cochran Road  
 Glenwillow, Ohio 44139 USA  
 E-mail: [venture@adlt.com](mailto:venture@adlt.com)  
[VentureLighting.com](http://VentureLighting.com)



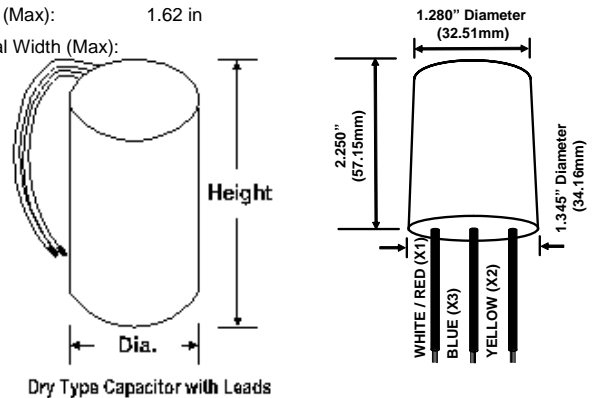
**BALLAST SPECIFICATION**

**125W M150**  
**Pulse Start Metal Halide**  
**V90Y8811T**  
**60 Hz CWA C&C**

Input Volts	480
Line Current ( Amps )	
Operating	0.35
Open Circuit	0.25
Starting	0.20
Recommended Fuse (Amps)	1
Regulation	
Line Volts	±10%
Lamp Watts	±10%
Temperature Ratings	
Insulation Class	180 (H)
Coil Temperature Code	A
Benchtop Coil Rise	66.2
Power Factor (%) HPF	90
Input Watts	153 W
Efficiency	82.0%
NOM. Open Circuit Voltage	225
Input Voltage At Lamp Dropout	300
Min Ambient Starting Temp	-20°F/-30°C*
<b>60 HZ TEST PROCEDURES</b>	
High Potential Test (Volts)	
1 Minute	2,000 V
1 Second	2,400 V
Open Circuit Voltage Test (V)	200 - 250
Short Circuit Current Test (A)	
Secondary Current	Min 1.35
	Max 1.75
Input Current	Min 0.05
	Max 0.15
<b>CORE and COIL Specifications</b>	
Dimension (A)	1.70 in
Dimension (B)	3.15 in
Weight	5.4 lb's
Lead Lengths	12 "
<b>Capacitor Requirement</b>	
Microfarads	12.0 uf
Volts (Min)	280 V



Capacitor:	ACG321	Ignitor:	BVS-031
Microfarads:	12.0 uf	Case Temp (Max):	105 °C
Volts (Max):	330 V	BTL Distance (Max)	2 ft
Case Temp (Max)	100 °C		
Height (Max):	2.76 in		
Dia (Max):	1.62 in		
Oval Width (Max):			

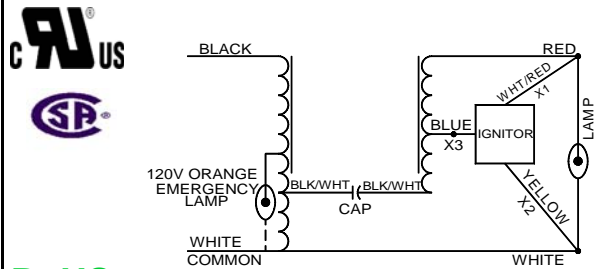


**Ordering Information**    Add Suffix for options  
C - With Dry Capacitor  
CB - With Dry Capacitor and Welded Bracket  
B - With Welded Bracket, no Capacitor  
K - Prewired, with Dry Capacitor and Bracket Kit

\* -40°F/-40°C Min Ambient Starting Temp with Venture Lamp

Data is based upon tests performed by Venture Lighting in a controlled environment and is representative of relative performance. Actual performance can vary depending on operating conditions. Specifications are subject to change without notice.

**9/11/2013**    **Production**    Coil material: primary Cu and secondary Cu



**RoHS**