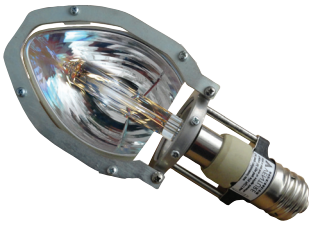


210 Watt RIO Roadway Type II Lamp Module

RIO: RETROFIT INTEGRATED OPTICS METAL HALIDE SYSTEM FOR STREET AND AREA LIGHTING

DATA SHEET



SUPER PULSE START
Ceramic (SPC)
 Ceramic Metal Halide

RIO 210W/T9/942/TYP2-RD/E39

GENERAL Characteristics

Lamp Type	Ceramic Metal Halide
ANSI Code	C183/E
Base Type	Mogul (E39)
Bulb Finish	Clear
Rated Life	30000 hours
Operating Position	Horizontal
Dimming	N/A

PHOTOMETRIC

Initial Lumens	23000
Scotopic Lumens (S/P 1.7)	39000
Lumens Per Watt	110
Lamp Lumen Depreciation (LLD)	0.89 (89%) @12000 hrs
Correlated Color Temperature	4200K
Chromaticity Coordinates (CIE-x,y)	.373 .366
Color Rendering Index (CRI)	90
Light Distribution	IES Type II

PHYSICAL

Dimensions	See Diagrams Below
Luminaire Type	Enclosed Rated

KIT ORDERING

Kit Order Code: RI05926	electronic ballast (208-240)
Kit Order Code: RI03815	electronic ballast (277)
Kit Order Code: RI01568	magnetic ballast (120/208/240/277)
Kit Order Code: RI03723	magnetic ballast (120/277/347)
Kit Order Code: RI05714	magnetic ballast (480)

ELECTRICAL

Lamp Watts	210
Lamp Oper. Voltage (Nom.)	100

SUSTAINABILITY

Recycling Program	Smartpac® 800-451-2606
-------------------	------------------------

OPTICS

Free formed SUPRAX™ optics with ultra smooth glass surfaces and dichroic anti-frost coating

NOTES

Lamp performance ratings published in this data sheet are based on operation with approved magnetic ballasts. To calculate nighttime Scotopic lumens, multiply the lumen rating by the S/P ratio.

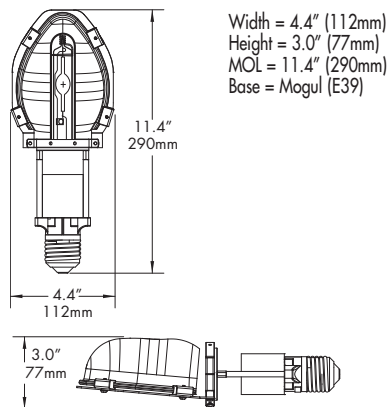
Kit includes lamp module, MH lamp, ballast and ballast mounting strap

Electronic ballast kits include external surge protection

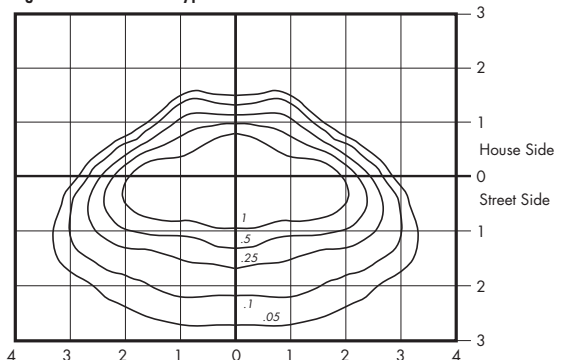
Patented Design

Revision Date: 1/22/15

Production Status: Production



Light Distribution: IES Type II



'Cobrahead' Streetlight | Clear Flat Lens | Uptilted Davit Arm | 30 Foot Mounting Height
 Distribution shown is for 140W ROADWAY RIO

(800) 451-2606
or (440) 248-3510
 Fax: (800) 451-2605
 7905 Cochran Road
 Glenwillow, Ohio 44139 USA
 E-mail: venture@adlt.com
VentureLighting.com



BALLAST SPECIFICATION

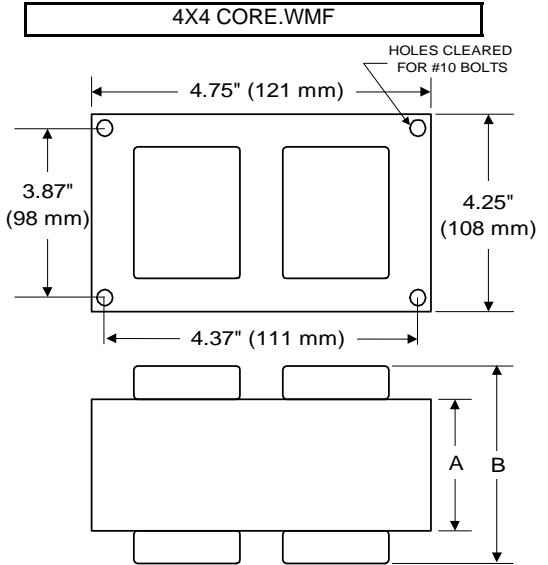
210W MXXX-210PS

Pulse Start Metal Halide

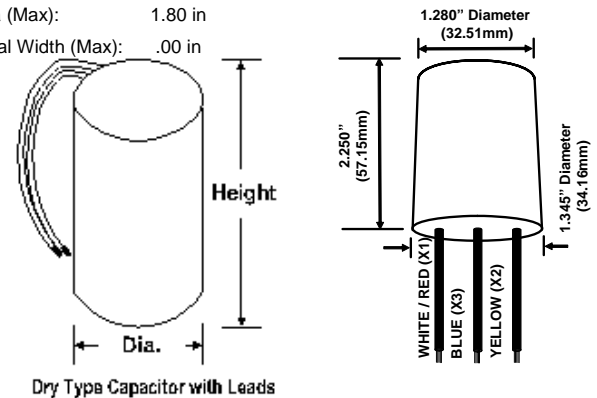
V90J5310

60 Hz CWA C&C

Input Volts	120	277	347
Line Current (Amps)			
Operating	2.00	0.95	0.75
Open Circuit	1.05	0.55	0.45
Starting	1.50	0.65	0.55
Recommended Fuse (Amps)	6	3	2
Regulation			
Line Volts	±10%	±10%	±10%
Lamp Watts	±10%	±10%	±10%
Temperature Ratings			
Insulation Class	180 (H)	180 (H)	180 (H)
Coil Temperature Code	A	B	B
Benchtop Coil Rise	74.8	77.5	78.7
Power Factor (%) HPF	90	90	90
Input Watts	250 W	250 W	250 W
Efficiency	84.0%	84.0%	84.0%
NOM. Open Circuit Voltage	195	195	195
Input Voltage At Lamp Dropout	90	190	250
Min Ambient Starting Temp	-40°F/-40°C	-40°F/-40°C	-40°F/-40°C
60 HZ TEST PROCEDURES			
High Potential Test (Volts)			
1 Minute	1,700 V	1,700 V	1,700 V
1 Second	2,100 V	2,100 V	2,100 V
Open Circuit Voltage Test (V)	175 - 215	175 - 215	175 - 215
Short Circuit Current Test (A)			
Secondary Current			
Min	3.00	3.00	3.00
Max	3.65	3.65	3.65
Input Current			
Min	1.10	0.45	0.35
Max	1.70	0.75	0.60
CORE and COIL Specifications			
Dimension (A)	1.20 in	1.20 in	1.20 in
Dimension (B)	3.00 in	3.00 in	3.00 in
Weight	8.2 lb's	8.2 lb's	8.2 lb's
Lead Lengths	12 "	12 "	12 "
Capacitor Requirement			
Microfarads	28.0 uf	28.0 uf	28.0 uf
Volts (Min)	240 V	240 V	240 V



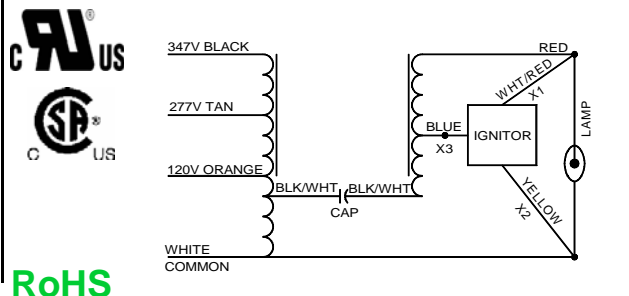
Capacitor:	ACG206	Ignitor:	BVS-041
Microfarads:	28.0 uf	Case Temp (Max):	105 °C
Volts (Max):	330 V	BTL Distance (Max)	2 ft
Case Temp (Max)	100 °C		
Height (Max):	3.68 in		
Dia (Max):	1.80 in		
Oval Width (Max):	.00 in		



Ordering Information Add Suffix for options
 C - With Dry Capacitor
 CB - With Dry Capacitor and Welded Bracket
 B - With Welded Bracket, no Capacitor
 K - Prewired, with Dry Capacitor and Bracket Kit

* -40°F/-40°C Min Ambient Starting Temp with Venture Lamp

Data is based upon tests performed by Venture Lighting in a controlled environment and is representative of relative performance. Actual performance can vary depending on operating conditions. Specifications are subject to change without notice.



4/30/2013 Production Coil material: primary Cu and secondary Cu RoHS