

210 Watt RIO Area Type III Lamp Module

RIO: RETROFIT INTEGRATED OPTICS METAL HALIDE SYSTEM FOR STREET AND AREA LIGHTING

DATA SHEET



SUPER PULSE START
Ceramic (SPC)
 Ceramic Metal Halide

RIO 210W/T9/942/TYP3-AR/E39

GENERAL Characteristics

Lamp Type	Ceramic Metal Halide
ANSI Code	C183/E
Base Type	Mogul (E39)
Bulb Finish	Clear
Rated Life	30000 hours
Operating Position	Horizontal
Dimming	N/A

PHOTOMETRIC

Initial Lumens	23000
Scotopic Lumens (S/P 1.7)	39000
Lumens Per Watt	110
Lamp Lumen Depreciation (LLD)	0.89 (89%) @12000 hrs
Correlated Color Temperature	4200K
Chromaticity Coordinates (CIE-x,y)	.373 .366
Color Rendering Index (CRI)	90
Light Distribution	IES Type III

PHYSICAL

Dimensions	See Diagrams Below
Luminaire Type	Enclosed Rated

KIT ORDERING

Kit Order Code: RI05749	electronic ballast (208-240)
Kit Order Code: RI08142	electronic ballast (277)
Kit Order Code: RI02736	magnetic ballast (120/208/240/277)
Kit Order Code: RI05381	magnetic ballast (120/277/347)
Kit Order Code: RI05129	magnetic ballast (480)

ELECTRICAL

Lamp Watts	210
Lamp Oper. Voltage (Nom.)	100

SUSTAINABILITY

Recycling Program	Smartpac® 800-451-2606
-------------------	------------------------

OPTICS

Free formed SUPRAX™ optics with ultra smooth glass surfaces and dichroic anti-frost coating

NOTES

Lamp performance ratings published in this data sheet are based on operation with approved magnetic ballasts. To calculate nighttime Scotopic lumens, multiply the lumen rating by the S/P ratio.

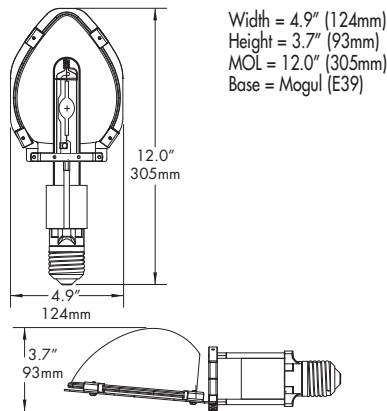
Kit includes lamp module, MH lamp, ballast and ballast mounting strap

Electronic ballast kits include external surge protection

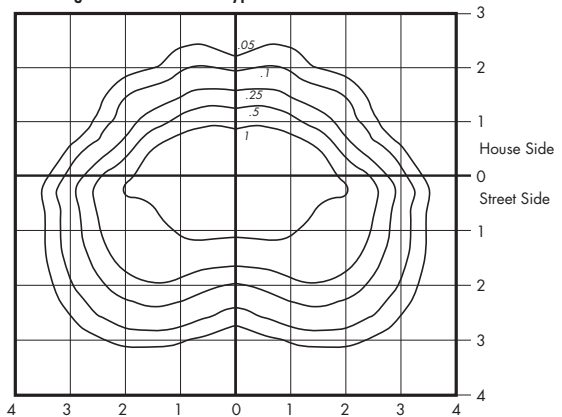
Patented Design

Revision Date: 1/22/15

Production Status: Production



210W Light Distribution: IES Type III



Full Cutoff Area Luminaire | Clear Flat Lens | 30 Foot Mounting Height

(800) 451-2606
or (440) 248-3510

Fax: (800) 451-2605
 7905 Cochran Road
 Glenwillow, Ohio 44139 USA
 E-mail: venture@adlt.com
VentureLighting.com



BALLAST SPECIFICATION

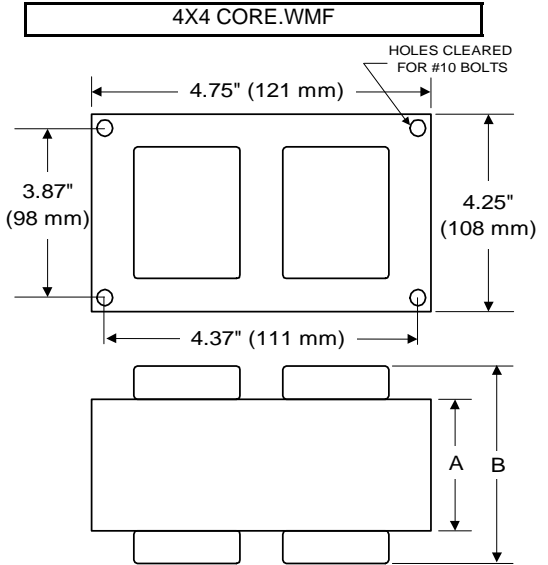
210W MXXX-210PS

Pulse Start Metal Halide

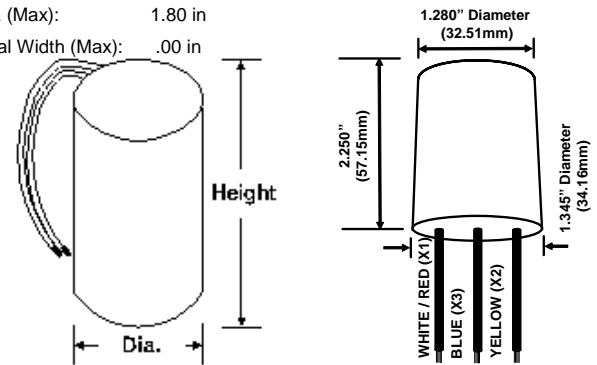
V90Y5310T

60 Hz CWA C&C

Input Volts	480				
Line Current (Amps)					
Operating	0.55				
Open Circuit	0.30				
Starting	0.35				
Recommended Fuse (Amps)	2				
Regulation					
Line Volts	±10%				
Lamp Watts	±10%				
Temperature Ratings					
Insulation Class	180 (H)				
Coil Temperature Code	B				
Benchtop Coil Rise	75.1				
Power Factor (%) HPF	90				
Input Watts	251 W				
Efficiency	84.0%				
NOM. Open Circuit Voltage	195				
Input Voltage At Lamp Dropout	300				
Min Ambient Starting Temp	-20°F/-30°C*				
60 HZ TEST PROCEDURES					
High Potential Test (Volts)					
1 Minute	2,000 V				
1 Second	2,400 V				
Open Circuit Voltage Test (V)	175 - 215				
Short Circuit Current Test (A)					
Secondary Current	Min 2.95				
	Max 3.65				
Input Current	Min 0.25				
	Max 0.40				
CORE and COIL Specifications					
Dimension (A)	1.20 in				
Dimension (B)	3.00 in				
Weight	8.3 lb's				
Lead Lengths	12 "				
Capacitor Requirement					
Microfarads	28.0 uf				
Volts (Min)	240 V				



Capacitor:	ACG206	Ignitor:	BVS-041
Microfarads:	28.0 uf	Case Temp (Max):	105 °C
Volts (Max):	330 V	BTL Distance (Max)	2 ft
Case Temp (Max)	100 °C		
Height (Max):	3.68 in		
Dia (Max):	1.80 in		
Oval Width (Max):	.00 in		



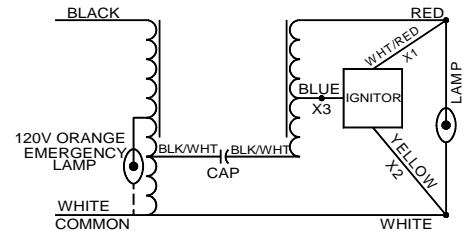
Dry Type Capacitor with Leads

Ordering Information Add Suffix for options
 C - With Dry Capacitor
 CB - With Dry Capacitor and Welded Bracket
 B - With Welded Bracket, no Capacitor
 K - Prewired, with Dry Capacitor and Bracket Kit

* -40°F/-40°C Min Ambient Starting Temp with Venture Lamp

Data is based upon tests performed by Venture Lighting in a controlled environment and is representative of relative performance. Actual performance can vary depending on operating conditions. Specifications are subject to change without notice.

3/6/2013 Production Coil material: primary Cu and secondary Cu



RoHS