

70 Watt RIO Area Type III Lamp Module

RIO: RETROFIT INTEGRATED OPTICS METAL HALIDE SYSTEM FOR STREET AND AREA LIGHTING

DATA SHEET



SUPER PULSE START
Long Life (SPL)
 Extended Life Lamp Series

RIO 70W/ED17/740/TYP3-AR/CM

GENERAL Characteristics

Lamp Type	MH Pulse Start Single Ended
ANSI Code	M98/E
Base Type	N/A
Bulb Finish	Clear
Rated Life	30000 hours
Operating Position	Horizontal
Dimming	N/A

PHOTOMETRIC

Initial Lumens	5600
Scotopic Lumens (S/P 1.7)	9500
Lumens Per Watt	80
Lamp Lumen Depreciation (LLD)	0.75 (75%) @12000 hrs
Correlated Color Temperature	4000K
Chromaticity Coordinates (CIE-x,y)	.385 .390
Color Rendering Index (CRI)	68
Light Distribution	IES Type III

PHYSICAL

Dimensions	See Diagrams Below
Luminaire Type	Enclosed Rated

KIT ORDERING

Kit Order Code: **RI05812** magnetic ballast (120V/208/240/277V)
 Kit Order Code: **RI06719** magnetic ballast (120/277/347)

ELECTRICAL

Lamp Watts	70
Lamp Oper. Voltage (Nom.)	85

SUSTAINABILITY

Recycling Program Smartpac® 800-451-2606

OPTICS

Free formed SUPRAX™ optics with ultra smooth glass surfaces and dichroic anti-frost coating

NOTES

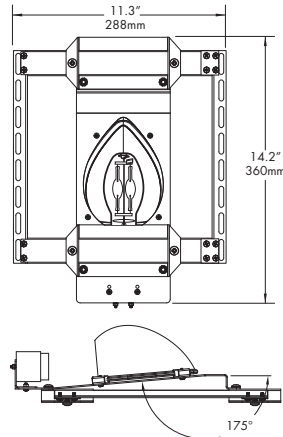
Lamp performance ratings published in this data sheet are based on operation with approved magnetic ballasts. To calculate nighttime Scotopic lumens, multiply the lumen rating by the S/P ratio.

Kit includes lamp module, MH lamp, ballast and ballast mounting strap

Patented Design

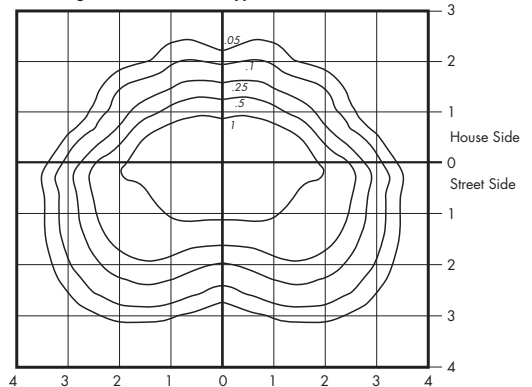
Revision Date: 1/22/15

Production Status: Production



Width = 11.3" - 19" (288mm)
 Height = 14.2" (360mm)
 Depth = 3.75" (95mm)
 Base = None

140W Light Distribution: IES Type III



Full Cutoff Area Luminaire | Clear Flat Lens | 25 Foot Mounting Height

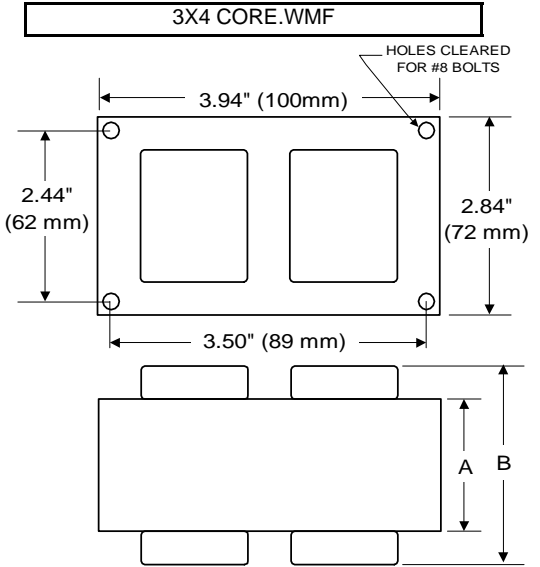
(800) 451-2606
or (440) 248-3510
 Fax: (800) 451-2605
 7905 Cochran Road
 Glenwillow, Ohio 44139 USA
 E-mail: venture@adlt.com
VentureLighting.com



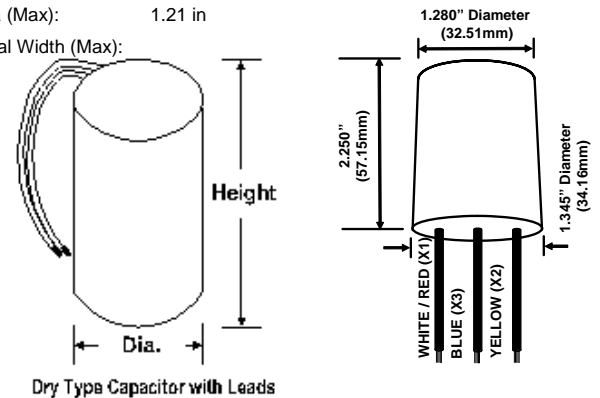
BALLAST SPECIFICATION

70W M98
Pulse Start Metal Halide
V90D5833
60 Hz HX C&C

Input Volts	120	208	240	277
Line Current (Amps)				
Operating	0.80	0.45	0.40	0.35
Open Circuit	1.65	0.95	0.80	0.70
Starting	0.75	0.55	0.50	0.35
Recommended Fuse (Amps)	4	3	2	2
Regulation				
Line Volts	±5%	±5%	±5%	±5%
Lamp Watts	±8%	±8%	±8%	±8%
Temperature Ratings				
Insulation Class	180 (H)	180 (H)	180 (H)	180 (H)
Coil Temperature Code	A	A	A	A
Benchtop Coil Rise	60.9	63.0	62.4	64.1
Power Factor (%) HPF	90	90	90	90
Input Watts	92 W	92 W	92 W	92 W
Efficiency	76.0%	76.0%	76.0%	76.0%
NOM. Open Circuit Voltage	250	250	250	250
Input Voltage At Lamp Dropout	85	140	165	185
Min Ambient Starting Temp	-20°F/-30°C*	-20°F/-30°C*	-20°F/-30°C*	-20°F/-30°C*
60 HZ TEST PROCEDURES				
High Potential Test (Volts)				
1 Minute	1,600 V	1,600 V	1,600 V	1,600 V
1 Second	1,900 V	1,900 V	1,900 V	1,900 V
Open Circuit Voltage Test (V)	225 - 275	225 - 275	225 - 275	225 - 275
Short Circuit Current Test (A)				
Secondary Current				
Min	.95	.95	.95	.95
Max	1.20	1.20	1.20	1.20
Input Current				
Min	0.45	0.25	0.25	0.20
Max	0.85	0.50	0.45	0.40
CORE and COIL Specifications				
Dimension (A)	1.45 in	1.45 in	1.45 in	1.45 in
Dimension (B)	2.85 in	2.85 in	2.85 in	2.85 in
Weight	4.6 lb's	4.6 lb's	4.6 lb's	4.6 lb's
Lead Lengths	12 "	12 "	12 "	12 "
Capacitor Requirement				
Microfarads	8.0 uf	8.0 uf	8.0 uf	8.0 uf
Volts (Min)	280 V	280 V	280 V	280 V



Capacitor:	ACG310	Ignitor:	BVS-032
Microfarads:	8.0 uf	Case Temp (Max):	105 °C
Volts (Max):	280 V	BTL Distance (Max)	2 ft
Case Temp (Max)	100 °C		
Height (Max):	2.76 in		
Dia (Max):	1.21 in		
Oval Width (Max):			



Ordering Information Add Suffix for options
 C - With Dry Capacitor
 CB - With Dry Capacitor and Welded Bracket
 B - With Welded Bracket, no Capacitor
 K - Prewired, with Dry Capacitor and Bracket Kit

* -40°F/-40°C Min Ambient Starting Temp with Venture Lamp

Data is based upon tests performed by Venture Lighting in a controlled environment and is representative of relative performance. Actual performance can vary depending on operating conditions. Specifications are subject to change without notice.

11/24/2008 **Production** Coil material: primary Cu and secondary Al



RoHS

