

70 Watt RIO Roadway Type II Lamp Module

RIO: RETROFIT INTEGRATED OPTICS META HALIDE SYSTEM FOR STREET AND AREA LIGHTING

DATA SHEET



SUPER PULSE START
Long Life (SPL)
 Extended Life Lamp Series

RIO 70W/ED17/740/TYP2-RD/E39

GENERAL Characteristics

Lamp Type	MH Pulse Start Single Ended
ANSI Code	M98/E
Base Type	Mogul (E39)
Bulb Finish	Clear
Rated Life	30000 hours
Operating Position	Horizontal
Dimming	N/A

PHOTOMETRIC

Initial Lumens	5600
Scotopic Lumens (S/P 1.7)	9500
Lumens Per Watt	80
Lamp Lumen Depreciation (LLD)	0.75 (75%) @12000 hrs
Correlated Color Temperature	4000K
Chromaticity Coordinates (CIE-x,y)	.385 .390
Color Rendering Index (CRI)	68
Light Distribution	IES Type II

PHYSICAL

Dimensions	See Diagrams Below
Luminaire Type	Enclosed Rated

KIT ORDERING

Kit Order Code: **RI03784** magnetic ballast (120V/208/240/277V)
 Kit Order Code: **RI08546** magnetic ballast (120/277/347)

ELECTRICAL

Lamp Watts	70
Lamp Oper. Voltage (Nom.)	85

SUSTAINABILITY

Recycling Program Smartpac® 800-451-2606

OPTICS

Free formed SUPRAX™ optics with ultra smooth glass surfaces and dichroic anti-frost coating

NOTES

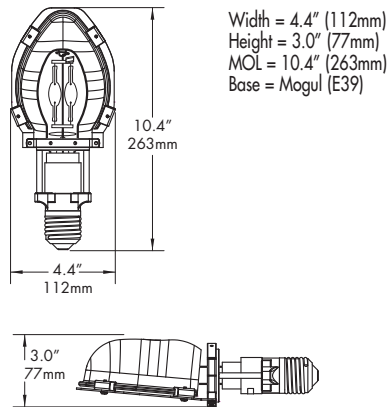
Lamp performance ratings published in this data sheet are based on operation with approved magnetic ballasts. To calculate nighttime Scotopic lumens, multiply the lumen rating by the S/P ratio.

Kit includes lamp module, MH lamp, ballast and ballast mounting strap

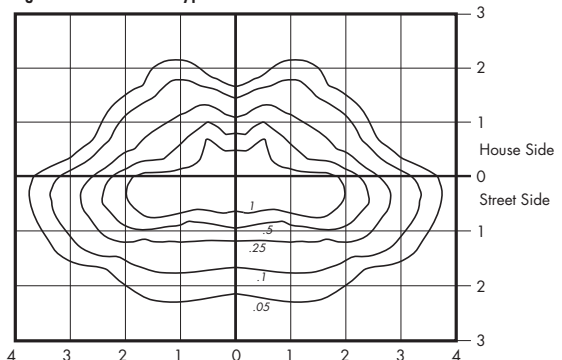
Patented Design

Revision Date: 1/22/15

Production Status Production



Light Distribution: IES Type II



'Cobrahead' Streetlight | Clear Flat Lens | Uptilted Davit Arm | 30 Foot Mounting Height
 Distribution shown is for 125W ROADWAY RIO

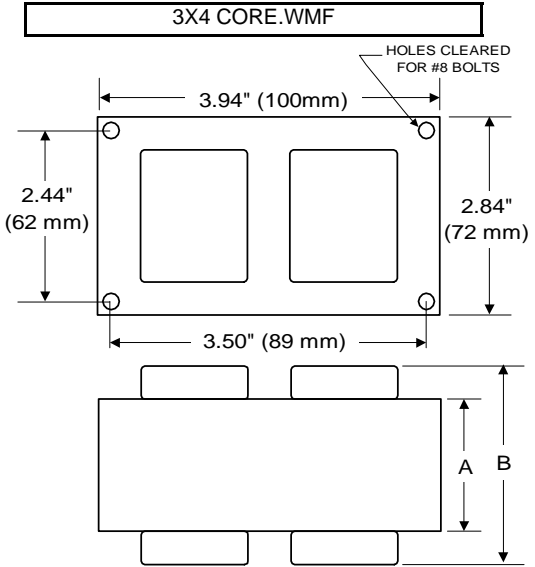
(800) 451-2606
or (440) 248-3510
 Fax: (800) 451-2605
 7905 Cochran Road
 Glenwillow, Ohio 44139 USA
 E-mail: venture@adlt.com
VentureLighting.com



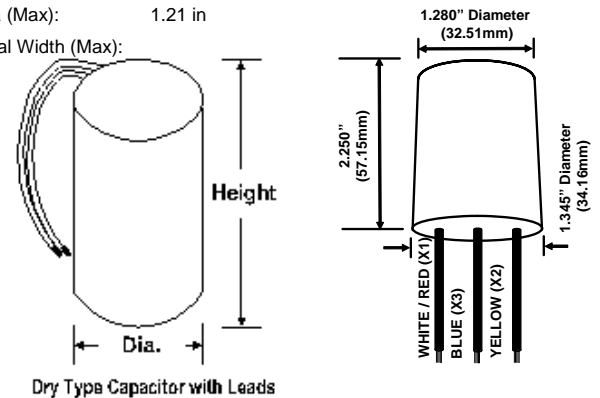
BALLAST SPECIFICATION

70W M98
Pulse Start Metal Halide
V90J5832
60 Hz HX C&C

Input Volts	120	277	347
Line Current (Amps)			
Operating	0.80	0.35	0.30
Open Circuit	1.70	0.75	0.60
Starting	0.80	0.35	0.30
Recommended Fuse (Amps)	4	2	2
Regulation			
Line Volts	±5%	±5%	±5%
Lamp Watts	±10%	±10%	±10%
Temperature Ratings			
Insulation Class	180 (H)	180 (H)	180 (H)
Coil Temperature Code	A	A	A
Benchtop Coil Rise	73.4	72.3	74.1
Power Factor (%) HPF	90	90	90
Input Watts	93 W	93 W	93 W
Efficiency	75.0%	75.0%	75.0%
NOM. Open Circuit Voltage	255	255	255
Input Voltage At Lamp Dropout	85	195	245
Min Ambient Starting Temp	-20°F/-30°C*	-20°F/-30°C*	-20°F/-30°C*
60 HZ TEST PROCEDURES			
High Potential Test (Volts)			
1 Minute	1,700 V	1,700 V	1,700 V
1 Second	2,100 V	2,100 V	2,100 V
Open Circuit Voltage Test (V)	230 - 280	230 - 280	230 - 280
Short Circuit Current Test (A)			
Secondary Current	Min 1.05 Max 1.30	Min 1.05 Max 1.30	Min 1.05 Max 1.30
Input Current	Min 0.70 Max 1.05	Min 0.30 Max 0.45	Min 0.25 Max 0.35
CORE and COIL Specifications			
Dimension (A)	1.45 in	1.45 in	1.45 in
Dimension (B)	2.85 in	2.85 in	2.85 in
Weight	4.5 lb's	4.5 lb's	4.5 lb's
Lead Lengths	12 "	12 "	12 "
Capacitor Requirement			
Microfarads	8.0 uf	8.0 uf	8.0 uf
Volts (Min)	280 V	280 V	280 V



Capacitor:	ACG310	Ignitor:	BVS-032
Microfarads:	8.0 uf	Case Temp (Max):	105 °C
Volts (Max):	280 V	BTL Distance (Max)	2 ft
Case Temp (Max)	100 °C		
Height (Max):	2.76 in		
Dia (Max):	1.21 in		
Oval Width (Max):			

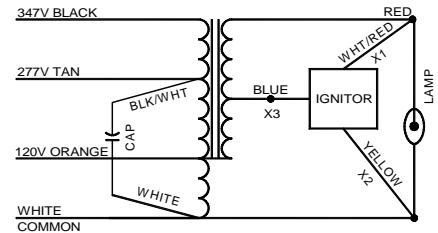


Ordering Information Add Suffix for options
 C - With Dry Capacitor
 CB - With Dry Capacitor and Welded Bracket
 B - With Welded Bracket, no Capacitor
 K - Prewired, with Dry Capacitor and Bracket Kit

* -40°F/-40°C Min Ambient Starting Temp with Venture Lamp

Data is based upon tests performed by Venture Lighting in a controlled environment and is representative of relative performance. Actual performance can vary depending on operating conditions. Specifications are subject to change without notice.

9/11/2013 **Production** Coil material: primary Cu and secondary Al



RoHS