



Ventronic™

## Electronic Ballast for 140W

### MECHANICAL Specifications

Weight	1.41kg (3.1lbs)
Case Dimensions	See Diagram Below
Remote Operation (Max.)	30ft (9.1m)

### THERMAL Specifications

Maximum Case Temperature (Tc)	80°C (176°F)
Minimum Starting Temperature	-30°C (-22°F)

### REGULATORY Specifications

Regulatory Marks	UL RoHS Compliant
------------------	-------------------

### INPUT

Input Voltage Range	120
Frequency	50/60Hz
Power Factor (Min.)	0.95
Input Connection	Side exit leads
Input Current	1.3A@120V
Input Power	154W@120V

### OUTPUT

Ignitor Voltage	2.9 kV Max Resonant Ignition
-----------------	------------------------------

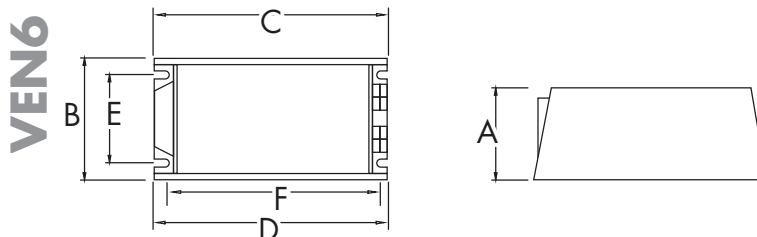
### ANSI Codes

140W Lamp	C189
-----------	------

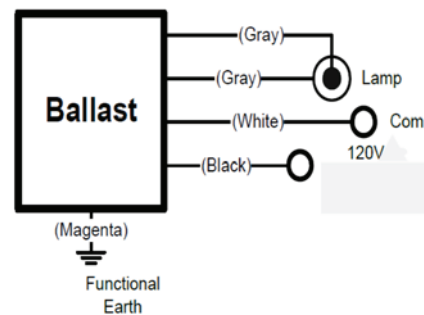
### NOTES

- To prevent water traps do not mount the connectors upwards
- Ballast output will shutdown after 20 minutes if lamp fails to ignite
- Power must be cycled off - then on, after replacing lamp
- Functional Earth (magenta connector) must be connected to large metal plate of luminaire to enable the common mode 10kV transient protection
- Case temperature measurement location on ballast label

Revision Date: 04/15/2016  
Production Status: Active



- A. Case height = 2.4" (60mm)
- B. Case width = 3.9" (100mm)
- C. Case length = 6.5" (166mm)
- D. Overall length = 6.5" (166mm)
- E. Mounting width = 3.2" (81mm)
- F. Mounting length = 6.1" (156mm)



(800) 451-2606  
or (440) 248-3510

Fax: (800) 451-2605  
7905 Cochran Road  
Glenwillow, Ohio 44139 USA  
E-mail: venture@adlt.com  
**VentureLighting.com**



RoHS

Data is based on tests performed in a controlled environment and is representative of relative performance. Actual performance can vary depending on operating conditions. Specifications are subject to change without notice. All specifications are nominal unless otherwise noted.