



VENTURE
LIGHTING

Ventronic™

Electronic Ballast for 315W

MECHANICAL Specifications

| | |
|-------------------------|-------------------|
| Weight | 2.04kg (4.5lbs) |
| Case Dimensions | See Diagram Below |
| Remote Operation (Max.) | 6ft (2.0m) |

THERMAL Specifications

| | |
|-------------------------------|--------------|
| Maximum Case Temperature (Tc) | 85°C (185°F) |
| Minimum Starting Temperature | -20°C (-4°F) |

REGULATORY Specifications

| | |
|------------------|-------------------|
| Regulatory Marks | UL EISA Compliant |
|------------------|-------------------|

INPUT

| | |
|---------------------|-----------------------|
| Input Voltage Range | 200-277 |
| Frequency | 50/60Hz |
| Power Factor (Min.) | 0.90 |
| Input Connection | Side exit leads |
| Input Current | 1.8A@200V; 1.25A@277V |
| Input Power | 343W@200V; 341W@277V |

OUTPUT

| | |
|-----------------|----------|
| Ignitor Voltage | 4 kV Max |
|-----------------|----------|

ANSI Codes

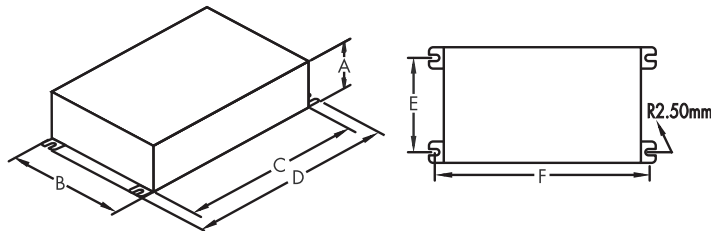
| | |
|-----------|------|
| 315W Lamp | C182 |
|-----------|------|

NOTES

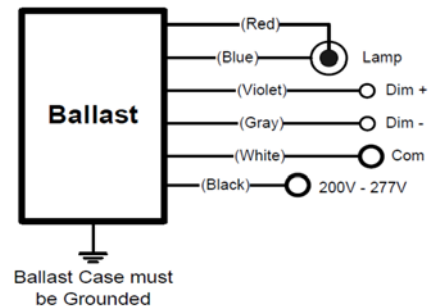
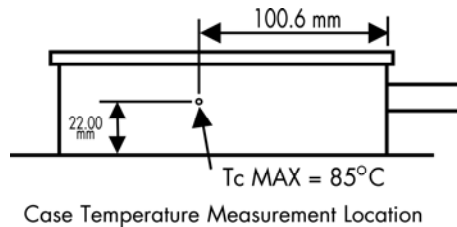
- Use of an external surge suppression device is recommended for outdoor use
- All leads are 11" long +/- 1"
- Ballast output will shutdown after 20 minutes if lamp fails to ignite
- Power must be cycled off - then on, after replacing lamp
- Ballast automatically operates lamp at 100% power for 10 minutes before allowing lamp to dim. 30 seconds fade to 50%, 3 seconds up to 100%
- Minimum dimming level = 50% of nominal lamp power
- Maximum dimming control current is 0.5 mA per ballast
- See case TC location in diagram below

| | |
|-------------------|------------|
| Revision Date | 04/15/2016 |
| Production Status | Active |

VEN6



- A. Case height = 2.2" (56mm)
- B. Case width = 4.9" (124mm)
- C. Case length = 7.5" (191mm)
- D. Overall length = 8.2" (208mm)
- E. Mounting width = 3.4" (86mm)
- F. Mounting length = 7.7" (196mm)



(800) 451-2606
or (440) 248-3510

Fax: (800) 451-2605
7905 Cochran Road
Glenwillow, Ohio 44139 USA
E-mail: venture@adlt.com
VentureLighting.com



EISA Compliant

Data is based on tests performed in a controlled environment and is representative of relative performance. Actual performance can vary depending on operating conditions. Specifications are subject to change without notice. All specifications are nominal unless otherwise noted.