



VENTURE
LIGHTING

UNI-FORM
PULSE START METAL HALIDE LIGHTING SYSTEMS

Ventronic™

Electronic Ballast for 350W

MECHANICAL Specifications

Case Style	Standard Fully Enclosed Case
Material	Blue Anodized Aluminum
Weight	1.10kg (2.44 lbs)
Dimensions	See "VEN8" Diagram Below

THERMAL Specifications

Thermal Protection (auto reset)	Yes
Maximum Case Temp. (Tc)	90°C (See diagram below)
Operating Temperature Range	-30°C to + 55°C Ambient
Operating Humidity	0 to 95% RH non-condensing

THERMAL Protection

Power Rollback	Temp regulation reduces power up to 50% to maintain safe operation
Shutdown	Interrupts ballast power if safe temperature not achieved, auto reset

REGULATORY Specifications

Regulatory Marks	cULus
RoHS Compliant	Yes
EMC	FCC Title 47 Part 18A
Design Standards	UL1029, UL935
Efficiency	95%
Surge Rating	Category C Low Exposure per IEEE C62.41.2-2002

ANSI Codes

350W	MH - M131
------	-----------

INPUT

Input Voltage Range	208-277VAC ±10%
Inrush Current (<5mS)	30A@208V, 35A@240V, 45A@277V
Frequency	50/60Hz
Power Factor	>0.97
Input Current Protection	Internal Fuse (Not User Serviceable)
Harmonics (THD)	5%@208V, 7%@240V, 10%@277V
Input Wire	18ga 105°C - 12 inch leads
Input Current	1.78A@208V, 1.55A@240V, 1.34A@277V
Input Power	371W

OUTPUT

Ignitor Voltage	4.0kV Max. Peak
Frequency	HF Sine Wave
Output Wire	18ga 200°C - 12 inch leads
BTL Distance	33ft (10m) Max. Length 3000 pF Max. Cable Capacitance

AVAILABLE Dimming Options

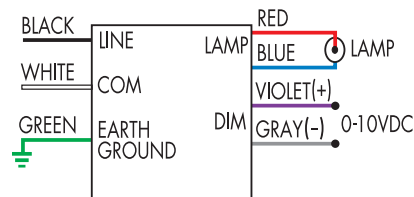
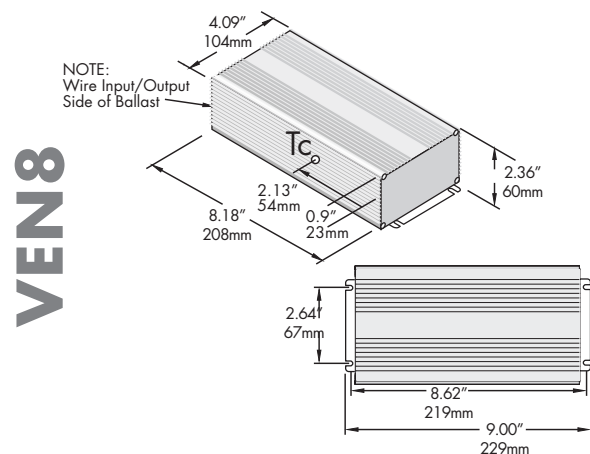
- D5** = Continuous 0-10V dimming to 50% of rated lamp power
- D7** = Continuous 0-10V dimming to 70% of rated lamp power

LAMP END OF LIFE Protection

Lamp voltage @ 175V Turns lamp off, auto reset

NOTES

The use of an external surge suppression device is recommended.
Natural White® Lamps (950 series) should be used with D7 Only
Revision Date 12/9/13
Production Status Active



(800) 451-2606
or (440) 248-3510
Fax: (800) 451-2605
7905 Cochran Road
Glenwillow, Ohio 44139 USA
E-mail: venture@adlt.com
VentureLighting.com

