



**VENTURE**  
LIGHTING

**UNI-FORM**  
PULSE START METAL HALIDE LIGHTING SYSTEMS

**Ventronic**™

## Electronic Ballast for 400W

### MECHANICAL Specifications

|            |                              |
|------------|------------------------------|
| Case Style | Standard Fully Enclosed Case |
| Material   | Blue Anodized Aluminum       |
| Weight     | 1.10kg (2.44 lbs)            |
| Dimensions | See "VEN8" Diagram Below     |

### THERMAL Specifications

|                                 |                            |
|---------------------------------|----------------------------|
| Thermal Protection (auto reset) | Yes                        |
| Maximum Case Temp. (Tc)         | 90°C (See diagram below)   |
| Operating Temperature Range     | -30°C to + 55°C Ambient    |
| Operating Humidity              | 0 to 95% RH non-condensing |

### THERMAL Protection

|                |   |
|----------------|---|
| Power Rollback | Temp regulation reduces power up to 50% to maintain safe operation    |
| Shutdown       | Interrupts ballast power if safe temperature not achieved, auto reset |

### REGULATORY Specifications

|                  |  |
|------------------|--|
| Regulatory Marks | cULus  |
| RoHS Compliant   | Yes  |
| EMC              | FCC Title 47 Part 18A                          |
| Design Standards | UL1029, UL935                                  |
| Efficiency       | 95%  |
| Surge Rating     | Category C Low Exposure per IEEE C62.41.2-2002 |

### ANSI Codes

|      |           |
|------|-----------|
| 400W | MH - M155 |
|------|-----------|

### INPUT

|                          |                                      |
|--------------------------|--------------------------------------|
| Input Voltage Range      | 208-277VAC ±10%                      |
| Inrush Current (<5mS)    | 30A@208V, 35A@240V, 45A@277V         |
| Frequency                | 50/60Hz                              |
| Power Factor             | >0.97                                |
| Input Current Protection | Internal Fuse (Not User Serviceable) |
| Harmonics (THD)          | 4%@208V, 6%@240V, 9%@277V            |
| Input Wire               | 18ga 105°C - 12 inch leads           |
| Input Current            | 2.04A@208V, 1.77A@240V, 1.53A@277V   |
| Input Power              | 424W                                 |

### OUTPUT

|                 |  |
|-----------------|--|
| Ignitor Voltage | 4.0kV Max. Peak  |
| Frequency       | HF Sine Wave   |
| Output Wire     | 18ga 200°C - 12 inch leads                               |
| BTL Distance    | 33ft (10m) Max. Length<br>3000 pF Max. Cable Capacitance |

### AVAILABLE Dimming Options

**D5** = Continuous 0-10V dimming to 50% of rated lamp power

**D7** = Continuous 0-10V dimming to 70% of rated lamp power

### LAMP END OF LIFE Protection

Lamp voltage @ 175V Turns lamp off, auto reset

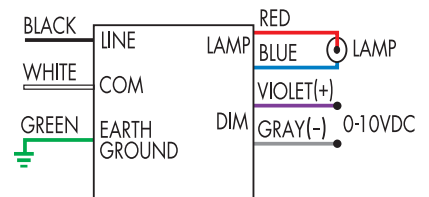
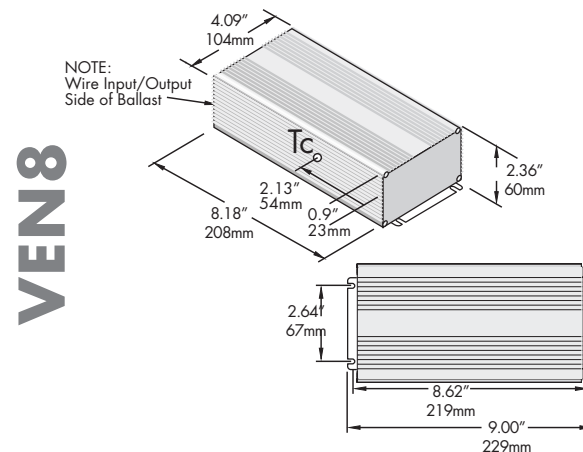
### NOTES

The use of an external surge suppression device is recommended.

Natural White® Lamps (950 series) should be used with D7 Only

Revision Date 12/9/13

Production Status Active



**(800) 451-2606**  
**or (440) 248-3510**

Fax: (800) 451-2605  
7905 Cochran Road  
Glenwillow, Ohio 44139 USA  
E-mail: [venture@adlt.com](mailto:venture@adlt.com)  
**VentureLighting.com**

