

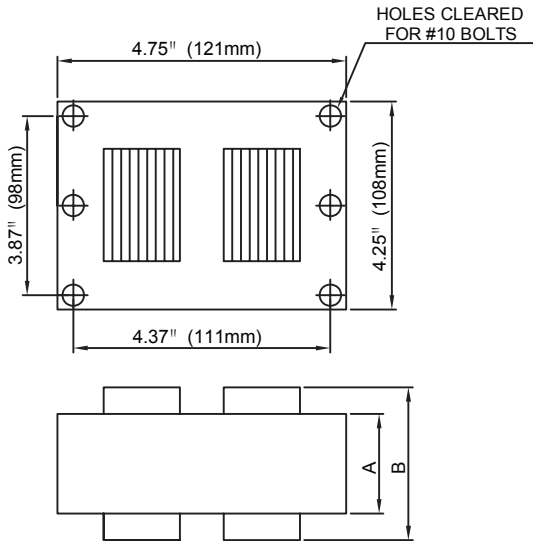


CATALOG NUMBER: V90AM1910K

400W S51

**High Pressure Sodium Lamp Ballast
60 Hz CWA**

4X4 CORE- HX, CWA & CWI UNITS



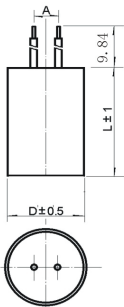
Input Volts		120	208	240	277	480
Circuit Type	CWA					
REGULATION						
Line Volts	±10%					
Lamp Watts	±13%					
LINE CURRENT(Amps)						
Operating		3.80	2.20	1.90	1.70	0.96
Open Circuit		1.50	0.85	0.75	0.65	0.44
Starting		3.70	2.15	1.85	1.60	0.90
RECOMMENDED FUSE (Amps)						
		10	7	6	5	4
TEMPERATURE RATINGS						
Insulation Class	H					
Coil Temperature Code		C	C	D	C	C
Benchtop Coil Rise		83.8	84.2	85.9	82.3	82.3
Power Factor (Min)	90%					
Input Watts	460 W					
Current Crest Factor	1.60					
NOM. OPEN CIRCUIT VOLTAGE						
	195					
INPUT VOLTAGE AT LAMP DROPOUT						
		90	155	180	205	335
MIN AMBIENT STARTING TEMP						
	-40°F/-40°C					
60 HZ TEST PROCEDURES						
High Potential Test (Volts)						
1 Minute						1,600 V
1 Second						2,000 V
Open Circuit Voltage Test (V)						
						175 - 215
Short Circuit Current Test (A)						
		Min				6.25
		Max				7.65
		Min	3.00	1.70	1.50	1.30
		Max	4.50	2.60	2.25	1.95
Input Current						
CORE and COIL Specifications						
Dimension A (in)						2.75
Dimension B (in)						4.33
Weight (lbs)						14.0
Lead Lengths (in)						12
CAPACITOR REQUIREMENT						
Microfarads						55.0 uf
Volts (Min)						240 V

Capacitor:

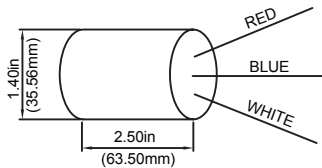
Microfarads: 55.0 uf
 Volts (Min): 240 V
 Case Temp(Max): 100°C
 D: 1.97 in
 L: 3.94 in
 A: 0.79 in

Ignitor:

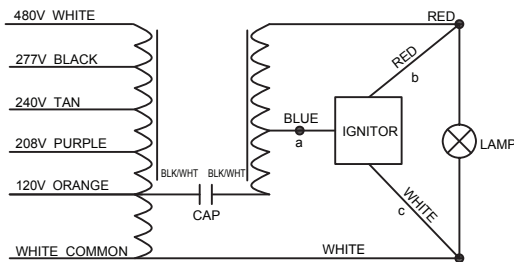
Temp: 105 °C
 BTL: 2 ft



Dry Type Capacitor with Leads



Wiring Diagram:



ORDERING INFORMATION

The ballast comes with a kit including capacitor, ignitor and bracket.

Data is based upon tests performed in a controlled environment and is representative of relative performance. Actual performance can vary depending on operating conditions. Specifications are subject to change without notice.

Coil material: Cu/Al