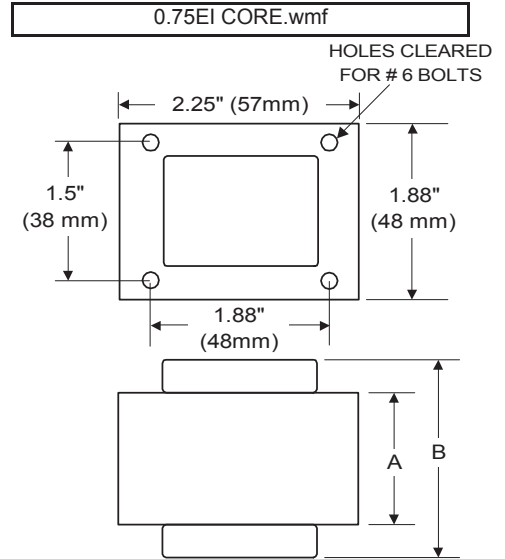




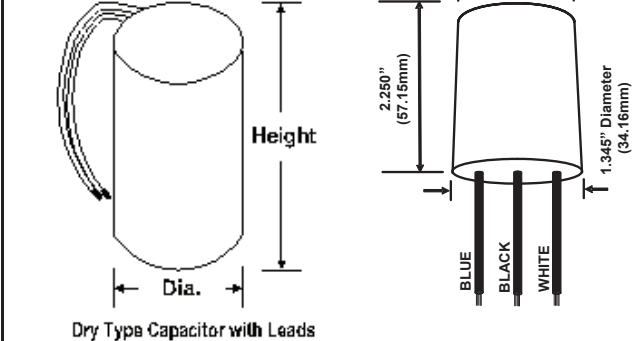
BALLAST SPECIFICATION

35W S76
High Pressure Sodium
V90B1020
60 Hz RCT C&C

Input Volts	120-HPF	120-NPF
Line Current (Amps)		
Operating	0.40	0.85
Open Circuit	0.75	0.00
Starting	0.40	1.05
Recommended Fuse (Amps)	2	3
Regulation		
Line Volts	±5%	±5%
Lamp Watts	±12%	±12%
Temperature Ratings		
Insulation Class	180 (H)	180 (H)
Coil Temperature Code	A	A
Benchtop Coil Rise		
Power Factor (%) HPF/NPF	90/40	90/40
Input Watts	45 W	45 W
Efficiency		
NOM. Open Circuit Voltage	120	120
Input Voltage At Lamp Dropout	95	95
Min Ambient Starting Temp	-40°F/-40°C	-40°F/-40°C
60 HZ TEST PROCEDURES		
High Potential Test (Volts)		
1 Minute	1,300 V	1,300 V
1 Second	1,500 V	1,500 V
Open Circuit Voltage Test (V)	110 - 130	110 - 130
Short Circuit Current Test (A)		
Secondary Current	Min .95 Max 1.20	Min .95 Max 1.20
Input Current	Min 0.20 Max 0.50	Min 0.95 Max 1.20
CORE and COIL Specifications		
Dimension (A)	.90 in	.90 in
Dimension (B)	2.15 in	2.15 in
Weight	2.0 lb's	2.0 lb's
Lead Lengths	12 "	12 "
Capacitor Requirement		
Microfarads	16.0 uf	16.0 uf
Volts (Min)	120 V	120 V



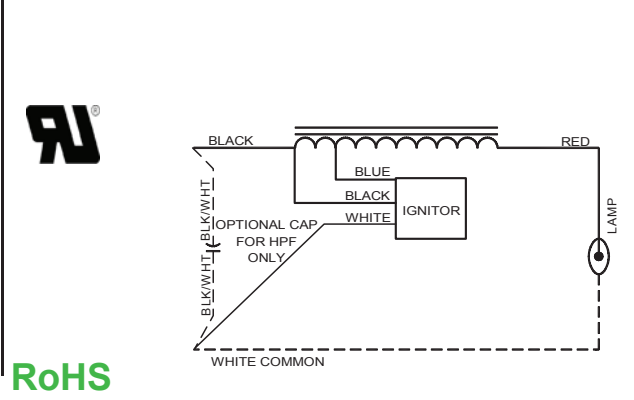
Capacitor:	ACG301	Ignitor:	BVS-004-A
Microfarads:	16.0 uf	Case Temp (Max):	105 °C
Volts (Max):	330 V	BTL Distance (Max)	2 ft
Case Temp (Max)	100 °C		
Height (Max):	2.76 in		
Dia (Max):	1.61 in		
Oval Width (Max):			



Ordering Information Add Suffix for options
 C - With Dry Capacitor
 CB - With Dry Capacitor and Welded Bracket
 B - With Welded Bracket, no Capacitor
 K - Prewired, with Dry Capacitor and Bracket Kit

Data is based upon tests performed by Venture Lighting in a controlled environment and is representative of relative performance. Actual performance can vary depending on operating conditions. Specifications are subject to change without notice.

08/25/2022 **Production** Coil Material: Cu



RoHS