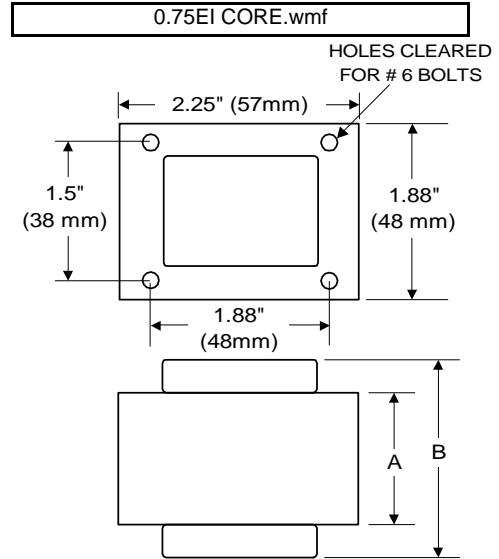




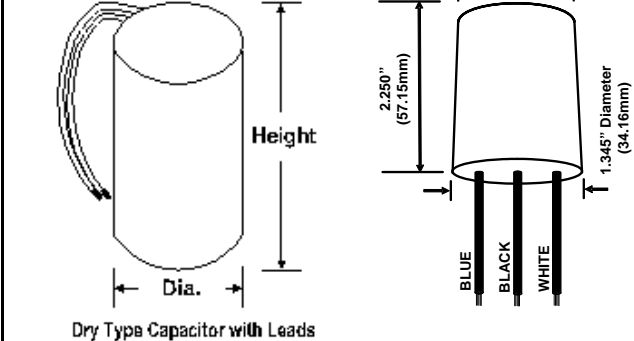
**BALLAST SPECIFICATION**

**50W S68**  
**High Pressure Sodium**  
**V90B1120**  
**60 Hz RCT C&C**

Input Volts	120-HPF	120-NPF
Line Current ( Amps )		
Operating	0.55	1.20
Open Circuit	1.00	0.00
Starting	0.75	1.45
Recommended Fuse (Amps)	2	3
Regulation		
Line Volts	±5%	±5%
Lamp Watts	±12%	±12%
Temperature Ratings		
Insulation Class	180 (H)	180 (H)
Coil Temperature Code	A	A
Benchtop Coil Rise		
Power Factor (%) HPF/NPF	90/40	90/40
Input Watts	65 W	65 W
Efficiency		
NOM. Open Circuit Voltage	120	120
Input Voltage At Lamp Dropout	95	95
Min Ambient Starting Temp	-40°F/-40°C	-40°F/-40°C
<b>60 HZ TEST PROCEDURES</b>		
High Potential Test (Volts)		
1 Minute	1,300 V	1,300 V
1 Second	1,500 V	1,500 V
Open Circuit Voltage Test (V)	110 - 130	110 - 130
Short Circuit Current Test (A)		
Secondary Current		
Min	1.35	1.35
Max	1.65	1.65
Input Current		
Min	0.40	1.35
Max	0.60	1.65
<b>CORE and COIL Specifications</b>		
Dimension (A)	1.15 in	1.15 in
Dimension (B)	2.35 in	2.35 in
Weight	2.0 lb's	2.0 lb's
Lead Lengths	12 "	12 "
<b>Capacitor Requirement</b>		
Microfarads	22.5 uf	22.5 uf
Volts (Min)	120 V	120 V



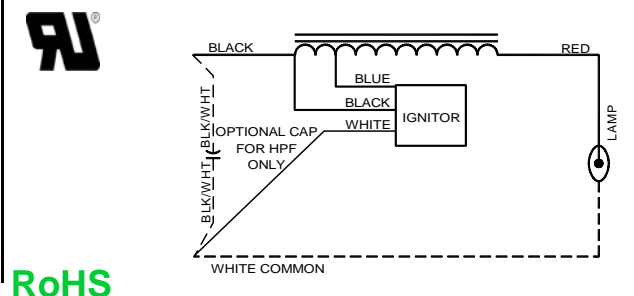
Capacitor:	ACG181	Ignitor:	BVS-004-A
Microfarads:	22.5 uf	Case Temp (Max):	105 °C
Volts (Max):	330 V	BTL Distance (Max)	2 ft
Case Temp (Max)	100 °C		
Height (Max):	3.68 in		
Dia (Max):	1.61 in		
Oval Width (Max):			



**Ordering Information**    Add Suffix for options  
 C - With Dry Capacitor  
 CB - With Dry Capacitor and Welded Bracket  
 B - With Welded Bracket, no Capacitor  
 K - Prewired, with Dry Capacitor and Bracket Kit

Data is based upon tests performed by Venture Lighting in a controlled environment and is representative of relative performance. Actual performance can vary depending on operating conditions. Specifications are subject to change without notice.

**5/11/2018**    **Production**    Coil Material: Cu



**RoHS**