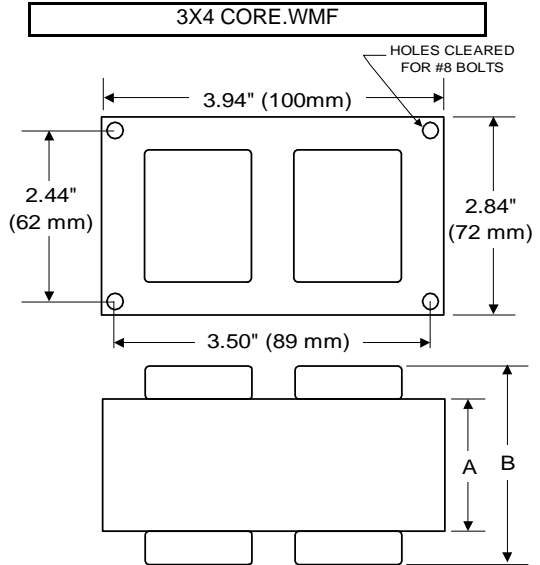




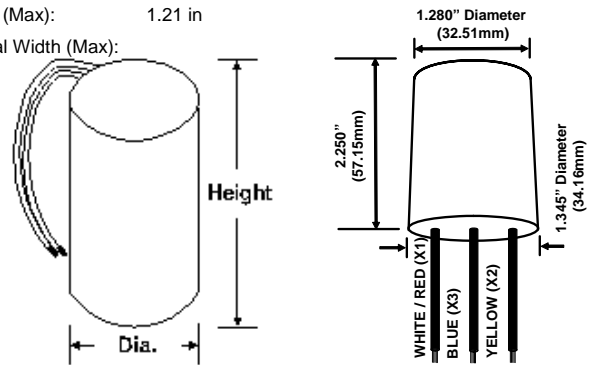
BALLAST SPECIFICATION

50W S68
High Pressure Sodium
V90E1131
60 Hz HX C&C

Input Volts	120	240
Line Current (Amps)		
Operating	0.70	0.35
Open Circuit	0.60	0.30
Starting	1.20	0.60
Recommended Fuse (Amps)	2	1
Regulation		
Line Volts	±5%	±5%
Lamp Watts	±10%	±10%
Temperature Ratings		
Insulation Class	180 (H)	180 (H)
Coil Temperature Code	F	F
Benchtop Coil Rise		
Power Factor (%) HPF	90	90
Input Watts	76 W	76 W
Efficiency		
NOM. Open Circuit Voltage	130	130
Input Voltage At Lamp Dropout	85	170
Min Ambient Starting Temp	-40°F/-40°C	-40°F/-40°C
60 HZ TEST PROCEDURES		
High Potential Test (Volts)		
1 Minute	2,000 V	2,000 V
1 Second	2,500 V	2,500 V
Open Circuit Voltage Test (V)	115 - 145	115 - 145
Short Circuit Current Test (A)		
Secondary Current	Min 1.40	1.40
Max 1.75	1.75	1.75
Input Current	Min 0.50	0.25
Max 0.70	0.70	0.35
CORE and COIL Specifications		
Dimension (A)	.80 in	.80 in
Dimension (B)	2.05 in	2.05 in
Weight	4.0 lb's	4.0 lb's
Lead Lengths	12 "	12 "
Capacitor Requirement		
Microfarads	6.0 uf	6.0 uf
Volts (Min)	330 V	330 V



Capacitor:	ACG033	Ignitor:	BVS-006-A
Microfarads:	6.0 uf	Case Temp (Max):	105 °C
Volts (Max):	330 V	BTL Distance (Max)	12 ft
Case Temp (Max)	100 °C		
Height (Max):	2.76 in		
Dia (Max):	1.21 in		
Oval Width (Max):			

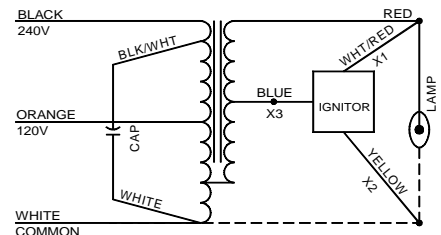


Dry Type Capacitor with Leads

Ordering Information Add Suffix for options
 C - With Dry Capacitor
 CB - With Dry Capacitor and Welded Bracket
 B - With Welded Bracket, no Capacitor
 K - Prewired, with Dry Capacitor and Bracket Kit

Data is based upon tests performed by Venture Lighting in a controlled environment and is representative of relative performance. Actual performance can vary depending on operating conditions. Specifications are subject to change without notice.

5/11/2018 **Production** Coil Material (PRI/SEC): Cu / Cu



RoHS