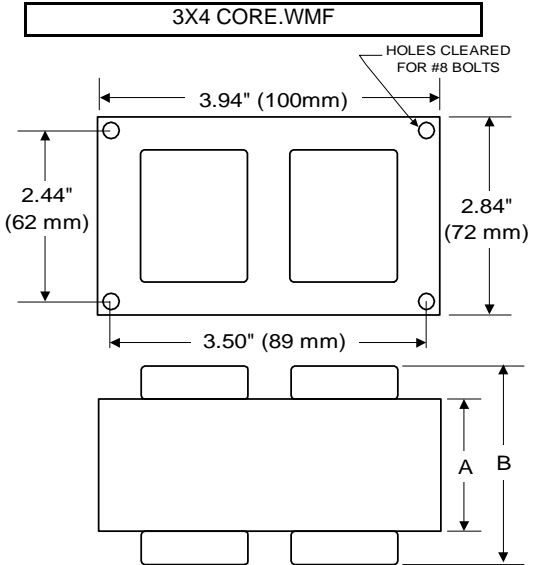




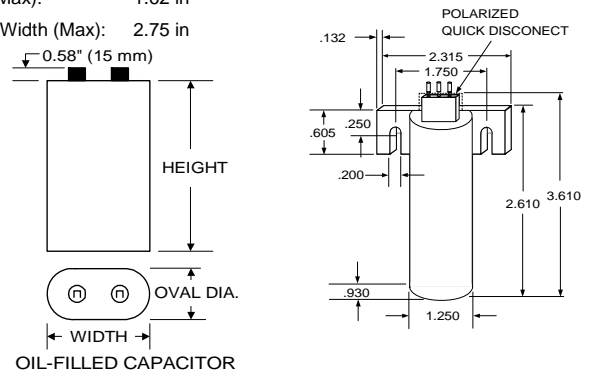
BALLAST SPECIFICATION

50W S68
High Pressure Sodium
V90E1151
60 Hz CWI C&C

Input Volts	120	240
Line Current (Amps)		
Operating	0.65	0.35
Open Circuit	0.50	0.25
Starting	0.20	0.10
Recommended Fuse (Amps)	2	1
Regulation		
Line Volts	±10%	±10%
Lamp Watts	±9%	±9%
Temperature Ratings		
Insulation Class	180 (H)	180 (H)
Coil Temperature Code	A	A
Benchtop Coil Rise		
Power Factor (%) HPF	90	90
Input Watts	73 W	73 W
Efficiency		
NOM. Open Circuit Voltage	125	125
Input Voltage At Lamp Dropout	90	120
Min Ambient Starting Temp	-40°F/-40°C	-40°F/-40°C
60 HZ TEST PROCEDURES		
High Potential Test (Volts)		
1 Minute	1,500 V	1,500 V
1 Second	1,800 V	1,800 V
Open Circuit Voltage Test (V)	115 - 140	115 - 140
Short Circuit Current Test (A)		
Secondary Current	Min 1.25	Min 1.25
	Max 1.85	Max 1.85
Input Current	Min 0.15	Min 0.07
	Max 0.25	Max 0.13
CORE and COIL Specifications		
Dimension (A)	1.00 in	1.00 in
Dimension (B)	2.40 in	2.40 in
Weight	5.0 lb's	5.0 lb's
Lead Lengths	12 "	12 "
Capacitor Requirement		
Microfarads	17.0 uf	17.0 uf
Volts (Min)	340 V	340 V



Capacitor:	ACB1590V	Ignitor:	BVS-006
Microfarads:	17.0 uf	Case Temp (Max):	105 °C
Volts (Max):	340 V	BTL Distance (Max)	12 ft
Case Temp (Max)	100 °C		
Height (Max):	3.25 in		
Dia (Max):	1.62 in		
Oval Width (Max):	2.75 in		



Ordering Information Add Suffix for options
 C - With Oil-Filled Capacitor
 CB - With Oil-Filled Capacitor and Welded Bracket
 B - With Welded Bracket, no Capacitor
 K - Prewired, with Oil-Filled Capacitor and Bracket Kit

Data is based upon tests performed by Venture Lighting in a controlled environment and is representative of relative performance. Actual performance can vary depending on operating conditions. Specifications are subject to change without notice.

5/11/2018 Production Coil Material (PRI/SEC): Cu / Cu



RoHS

