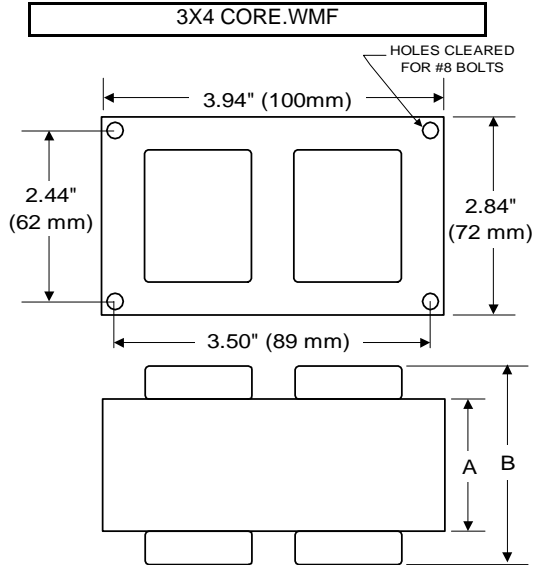




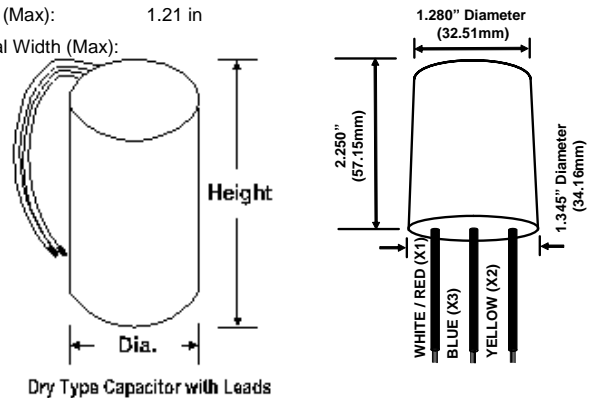
BALLAST SPECIFICATION

50W S68
High Pressure Sodium
V90H1132
60 Hz HX C&C

Input Volts	120	277
Line Current (Amps)		
Operating	0.60	0.25
Open Circuit	1.00	0.45
Starting	0.55	0.25
Recommended Fuse (Amps)	3	1
Regulation		
Line Volts	±5%	±5%
Lamp Watts	±10%	±10%
Temperature Ratings		
Insulation Class	180 (H)	180 (H)
Coil Temperature Code	A	A
Benchtop Coil Rise	54.5	53.6
Power Factor (%) HPF	90	90
Input Watts	66 W	66 W
Efficiency		
NOM. Open Circuit Voltage	120	120
Input Voltage At Lamp Dropout	95	200
Min Ambient Starting Temp	-40°F/-40°C	-40°F/-40°C
60 HZ TEST PROCEDURES		
High Potential Test (Volts)		
1 Minute	1,600 V	1,600 V
1 Second	1,900 V	1,900 V
Open Circuit Voltage Test (V)	105 - 135	105 - 135
Short Circuit Current Test (A)		
Secondary Current		
Min	1.35	1.35
Max	1.65	1.65
Input Current		
Min	0.35	0.15
Max	0.65	0.25
CORE and COIL Specifications		
Dimension (A)	1.00 in	1.00 in
Dimension (B)	2.40 in	2.40 in
Weight	3.6 lb's	3.6 lb's
Lead Lengths	12 "	12 "
Capacitor Requirement		
Microfarads	5.0 uf	5.0 uf
Volts (Min)	280 V	280 V



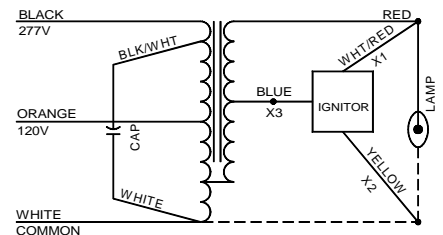
Capacitor:	ACG314	Ignitor:	BVS-006-A
Microfarads:	5.0 uf	Case Temp (Max):	105 °C
Volts (Max):	280 V	BTL Distance (Max)	5 ft
Case Temp (Max)	100 °C		
Height (Max):	2.23 in		
Dia (Max):	1.21 in		
Oval Width (Max):			



Ordering Information Add Suffix for options
 C - With Dry Capacitor
 CB - With Dry Capacitor and Welded Bracket
 B - With Welded Bracket, no Capacitor
 K - Prewired, with Dry Capacitor and Bracket Kit

Data is based upon tests performed by Venture Lighting in a controlled environment and is representative of relative performance. Actual performance can vary depending on operating conditions. Specifications are subject to change without notice.

5/11/2018 **Production** Coil Material (PRI/SEC): Cu / Cu



RoHS