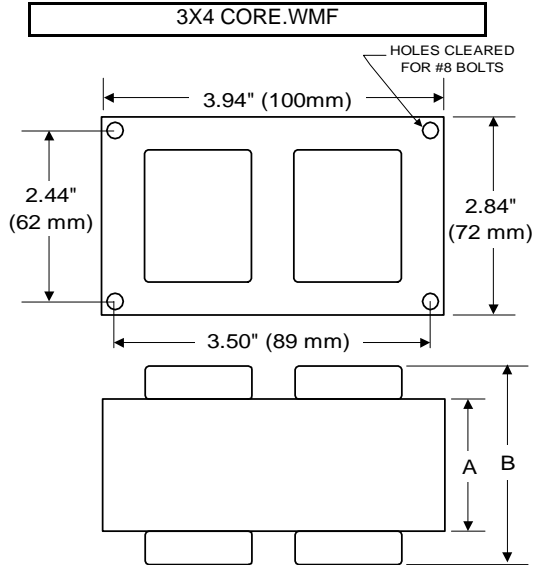




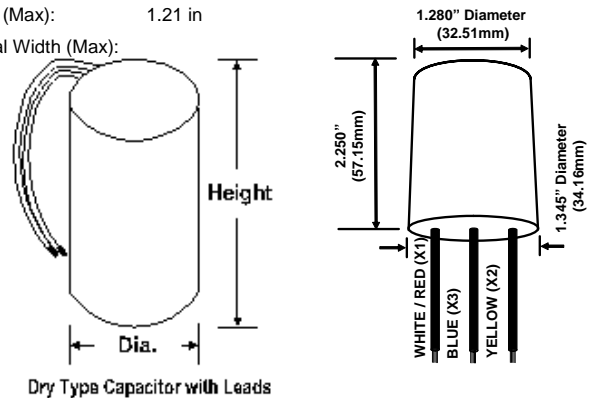
BALLAST SPECIFICATION

50W S68
High Pressure Sodium
V90V1131
60 Hz HX C&C

Input Volts	347
Line Current (Amps)	
Operating	0.25
Open Circuit	0.30
Starting	0.45
Recommended Fuse (Amps)	1
Regulation	
Line Volts	±5%
Lamp Watts	±15%
Temperature Ratings	
Insulation Class	180 (H)
Coil Temperature Code	D
Benchtop Coil Rise	
Power Factor (%) HPF	90
Input Watts	75 W
Efficiency	
NOM. Open Circuit Voltage	130
Input Voltage At Lamp Dropout	275
Min Ambient Starting Temp	-40°F/-40°C
60 HZ TEST PROCEDURES	
High Potential Test (Volts)	
1 Minute	2,000 V
1 Second	2,500 V
Open Circuit Voltage Test (V)	120 - 145
Short Circuit Current Test (A)	
Secondary Current	Min 1.55 Max 1.90
Input Current	Min 0.30 Max 0.55
CORE and COIL Specifications	
Dimension (A)	.80 in
Dimension (B)	2.05 in
Weight	4.0 lb's
Lead Lengths	12 "
Capacitor Requirement	
Microfarads	6.0 uf
Volts (Min)	330 V



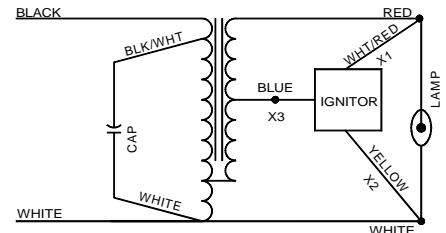
Capacitor:	ACG033	Ignitor:	BVS-006-A
Microfarads:	6.0 uf	Case Temp (Max):	105 °C
Volts (Max):	330 V	BTL Distance (Max)	12 ft
Case Temp (Max)	100 °C		
Height (Max):	2.76 in		
Dia (Max):	1.21 in		
Oval Width (Max):			



Ordering Information Add Suffix for options
 C - With Dry Capacitor
 CB - With Dry Capacitor and Welded Bracket
 B - With Welded Bracket, no Capacitor
 K - Prewired, with Dry Capacitor and Bracket Kit

Data is based upon tests performed by Venture Lighting in a controlled environment and is representative of relative performance. Actual performance can vary depending on operating conditions. Specifications are subject to change without notice.

5/11/2018 **Production** Coil Material (PRI/SEC): Cu / Cu



RoHS