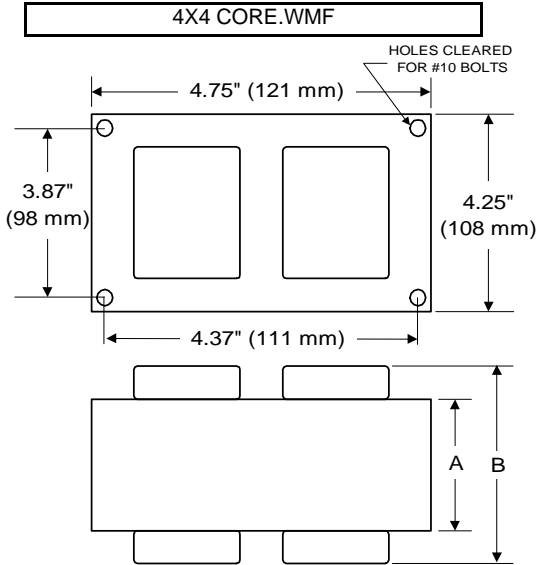




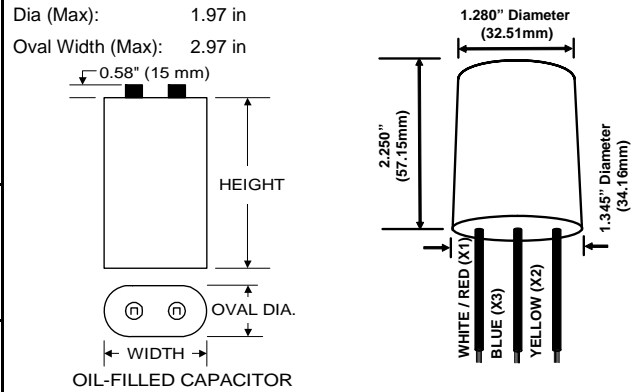
BALLAST SPECIFICATION

575W M178
Pulse Start Metal Halide
V90AM5510
60 Hz CWA C&C

Input Volts	120	208	240	277	480
Line Current (Amps)					
Operating	5.65	3.30	2.85	2.45	1.45
Open Circuit	2.70	1.65	1.40	1.20	0.75
Starting	5.10	3.00	2.60	2.25	1.30
Recommended Fuse (Amps)	15	8	7	6	4
Regulation					
Line Volts	±10%	±10%	±10%	±10%	±10%
Lamp Watts	±10%	±10%	±10%	±10%	±10%
Temperature Ratings					
Insulation Class	180 (H)	180 (H)	180 (H)	180 (H)	180 (H)
Coil Temperature Code	A	A	A	A	C
Benchtop Coil Rise	62.4	66.8	66.1	70.7	83.8
Power Factor (%) HPF	90	90	90	90	90
Input Watts	630 W	630 W	630 W	630 W	630 W
Efficiency	91.0%	91.0%	91.0%	91.0%	91.0%
NOM. Open Circuit Voltage	285	285	285	285	285
Input Voltage At Lamp Dropout	70	120	130	150	245
Min Ambient Starting Temp	-20°F/-30°C*	-20°F/-30°C*	-20°F/-30°C*	-20°F/-30°C*	-20°F/-30°C*
60 HZ TEST PROCEDURES					
High Potential Test (Volts)					
1 Minute	2,000 V	2,000 V	2,000 V	2,000 V	2,000 V
1 Second	2,400 V	2,400 V	2,400 V	2,400 V	2,400 V
Open Circuit Voltage Test (V)	255 - 310	255 - 310	255 - 310	255 - 310	255 - 310
Short Circuit Current Test (A)					
Secondary Current					
Min	5.20	5.20	5.20	5.20	5.20
Max	6.35	6.35	6.35	6.35	6.35
Input Current					
Min	4.10	2.40	2.05	1.80	1.05
Max	6.10	3.55	3.10	2.70	1.55
CORE and COIL Specifications					
Dimension (A)	2.90 in	2.90 in	2.90 in	2.90 in	2.90 in
Dimension (B)	4.95 in	4.95 in	4.95 in	4.95 in	4.95 in
Weight	16.8 lb's	16.8 lb's	16.8 lb's	16.8 lb's	16.8 lb's
Lead Lengths	12 "	12 "	12 "	12 "	12 "
Capacitor Requirement					
Microfarads	38.0 uf	38.0 uf	38.0 uf	38.0 uf	38.0 uf
Volts (Min)	400 V	400 V	400 V	400 V	400 V



Capacitor:	ACB3420V	Ignitor:	BVS-041
Microfarads:	38.0 uf	Case Temp (Max):	105 °C
Volts (Max):	400 V	BTL Distance (Max)	2 ft
Case Temp (Max)	100 °C		
Height (Max):	4.03 in		
Dia (Max):	1.97 in		
Oval Width (Max):	2.97 in		



Ordering Information Add Suffix for options
 C - With Oil-Filled Capacitor
 CB - With Oil-Filled Capacitor and Welded Bracket
 B - With Welded Bracket, no Capacitor
 K - Prewired, with Oil-Filled Capacitor and Bracket Kit

* -40°F/-40°C Min Ambient Starting Temp with Venture Lamp

Data is based upon tests performed by Venture Lighting in a controlled environment and is representative of relative performance. Actual performance can vary depending on operating conditions. Specifications are subject to change without notice.

1/27/2017 **Production** Coil Material (PRI/SEC): Cu-Al / Cu

Complies with the Energy Independence and Security Act of 2007 and California Title 20 Appliance Efficiency Regulations

