



BALLAST SPECIFICATION

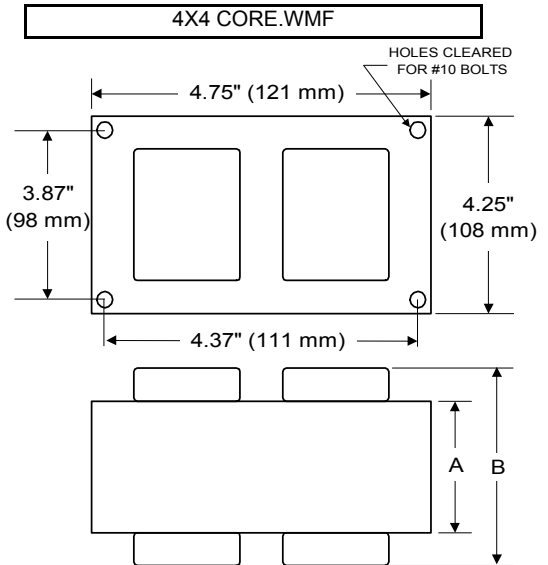
400W M135 / M155

Pulse Start Metal Halide

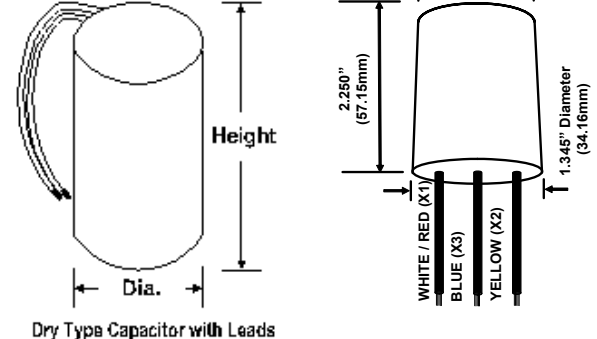
V90AM7610

60 Hz CWA C&C

Input Volts	120	208	240	277	480
Line Current (Amps)					
Operating	3.70	2.15	1.85	1.65	1.00
Open Circuit	1.85	1.10	0.95	0.85	0.50
Starting	3.25	1.90	1.65	1.45	0.85
Recommended Fuse (Amps)	10	6	5	5	3
Regulation					
Line Volts	±10%	±10%	±10%	±10%	±10%
Lamp Watts	±10%	±10%	±10%	±10%	±10%
Temperature Ratings					
Insulation Class	180 (H)	180 (H)	180 (H)	180 (H)	180 (H)
Coil Temperature Code	A	A	A	B	C
Benchtop Coil Rise	63.7	69.0	70.9	75.7	83.7
Power Factor (%) HPF	90	90	90	90	90
Input Watts	443 W	443 W	443 W	443 W	443 W
Efficiency	90.3%	90.3%	90.3%	90.3%	90.3%
NOM. Open Circuit Voltage	250	250	250	250	250
Input Voltage At Lamp Dropout	80	135	150	170	295
Min Ambient Starting Temp	-20°F/-30°C*	-20°F/-30°C*	-20°F/-30°C*	-20°F/-30°C*	-20°F/-30°C*
60 HZ TEST PROCEDURES					
High Potential Test (Volts)					
1 Minute	2,000 V	2,000 V	2,000 V	2,000 V	2,000 V
1 Second	2,400 V	2,400 V	2,400 V	2,400 V	2,400 V
Open Circuit Voltage Test (V)	225 - 270	225 - 270	225 - 270	225 - 270	225 - 275
Short Circuit Current Test (A)					
Secondary Current	Min 3.40 Max 4.20	Min 3.40 Max 4.20	Min 3.40 Max 4.20	Min 3.40 Max 4.20	Min 3.40 Max 4.20
Input Current	Min 2.55 Max 3.85	Min 1.40 Max 2.05	Min 1.30 Max 1.90	Min 1.15 Max 1.70	Min 0.65 Max 1.00
CORE and COIL Specifications					
Dimension (A)	1.92 in	1.92 in	1.92 in	1.92 in	1.92 in
Dimension (B)	4.10 in	4.10 in	4.10 in	4.10 in	4.10 in
Weight	12.0 lb's	12.0 lb's	12.0 lb's	12.0 lb's	12.0 lb's
Lead Lengths	12 "	12 "	12 "	12 "	12 "
Capacitor Requirement					
Microfarads	26.0 uf	26.0 uf	26.0 uf	26.0 uf	26.0 uf
Volts (Min)	345 V	345 V	345 V	345 V	345 V



Capacitor:	ACG278	Ignitor:	BVS-041
Microfarads:	26.0 uf	Case Temp (Max):	105 °C
Volts (Max):	400 V	BTL Distance (Max)	2 ft
Case Temp (Max)	100 °C		
Height (Max):	4.80 in		
Dia (Max):	1.80 in		
Oval Width (Max):			



Ordering Information Add Suffix for options

- C - With Dry Capacitor
- CB - With Dry Capacitor and Welded Bracket
- B - With Welded Bracket, no Capacitor
- K - Prewired, with Dry Capacitor and Bracket Kit

* -40°F/-40°C Min Ambient Starting Temp with Venture Lamp

Data is based upon tests performed by Venture Lighting in a controlled environment and is representative of relative performance. Actual performance can vary depending on operating conditions. Specifications are subject to change without notice.

04/21/2020 Production Coil Material (PRI/SEC): Cu-Al / Cu

Complies with the Energy Independence and Security Act of 2007 and California Title 20 Appliance Efficiency Regulations