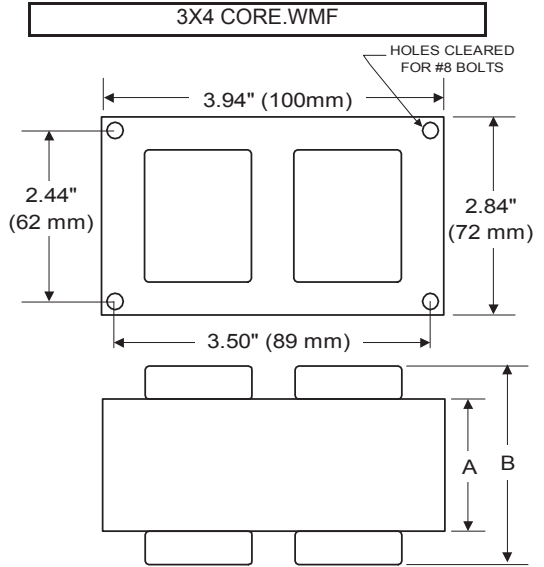




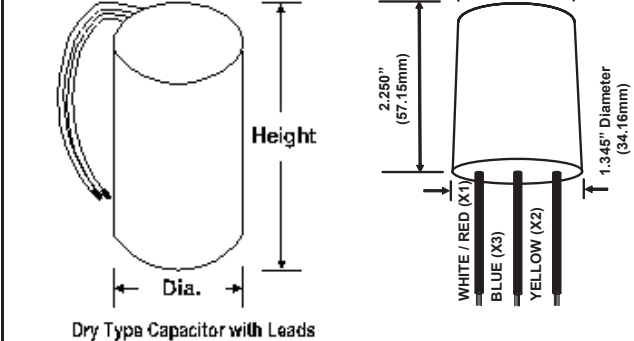
BALLAST SPECIFICATION

100W M90
Pulse Start Metal Halide
V90D5932
60 Hz HX C&C

Input Volts	120	208	240	277
Line Current (Amps)				
Operating	1.10	0.65	0.55	0.50
Open Circuit	2.60	1.50	1.30	1.15
Starting	1.00	0.60	0.50	0.45
Recommended Fuse (Amps)	7	4	4	3
Regulation				
Line Volts	±5%	±5%	±5%	±5%
Lamp Watts	±10%	±10%	±10%	±10%
Temperature Ratings				
Insulation Class	180 (H)	180 (H)	180 (H)	180 (H)
Coil Temperature Code	A	A	A	A
Benchtop Coil Rise	70.1	69.8	65.9	71.8
Power Factor (%) HPF	90	90	90	90
Input Watts	124 W	124 W	124 W	124 W
Efficiency	80.2%	80.2%	80.2%	80.2%
NOM. Open Circuit Voltage	270	270	270	270
Input Voltage At Lamp Dropout	80	140	160	185
Min Ambient Starting Temp	-20°F/-30°C*	-20°F/-30°C*	-20°F/-30°C*	-20°F/-30°C*
60 HZ TEST PROCEDURES				
High Potential Test (Volts)				
1 Minute	1,600 V	1,600 V	1,600 V	1,600 V
1 Second	1,900 V	1,900 V	1,900 V	1,900 V
Open Circuit Voltage Test (V)	240 - 300	240 - 300	240 - 300	240 - 300
Short Circuit Current Test (A)				
Secondary Current				
Min	1.20	1.20	1.20	1.20
Max	1.50	1.50	1.50	1.50
Input Current				
Min	0.40	0.25	0.20	0.15
Max	0.75	0.45	0.40	0.35
CORE and COIL Specifications				
Dimension (A)	1.70 in	1.70 in	1.70 in	1.70 in
Dimension (B)	3.10 in	3.10 in	3.10 in	3.10 in
Weight	5.2 lb's	5.2 lb's	5.2 lb's	5.2 lb's
Lead Lengths	12 "	12 "	12 "	12 "
Capacitor Requirement				
Microfarads	12.0 uf	12.0 uf	12.0 uf	12.0 uf
Volts (Min)	280 V	280 V	280 V	280 V



Capacitor:	ACG321	Ignitor:	BVS-032
Microfarads:	12.0 uf	Case Temp (Max):	105 °C
Volts (Max):	330 V	BTL Distance (Max)	2 ft
Case Temp (Max)	100 °C		
Height (Max):	2.76 in		
Dia (Max):	1.61 in		
Oval Width (Max):			



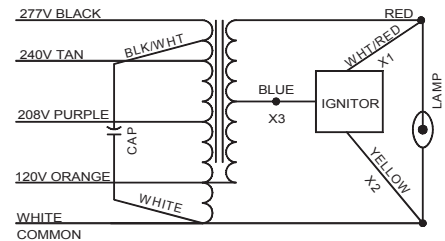
Ordering Information Add Suffix for options
 C - With Dry Capacitor
 CB - With Dry Capacitor and Welded Bracket
 B - With Welded Bracket, no Capacitor
 K - Prewired, with Dry Capacitor and Bracket Kit

* -40°F/-40°C Min Ambient Starting Temp with Venture Lamp

Data is based upon tests performed by Venture Lighting in a controlled environment and is representative of relative performance. Actual performance can vary depending on operating conditions. Specifications are subject to change without notice.

04/21/2020 Production Coil Material (PRI/SEC): Cu / Al

Complies with the Energy Independence and Security Act of 2007 and California Title 20 Appliance Efficiency Regulations



RoHS