



**BALLAST SPECIFICATION**

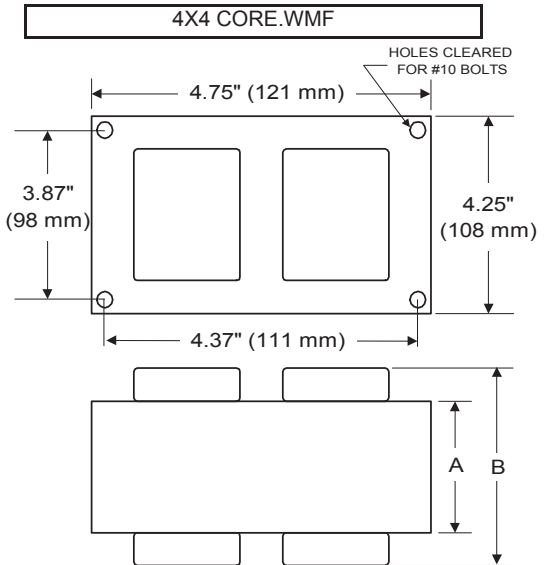
**400W M135 / M155**

**Pulse Start Metal Halide**

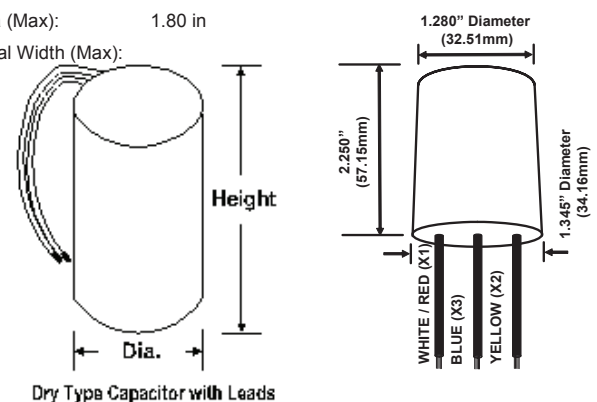
**V90D7613**

**60 Hz CWA C&C**

<b>Input Volts</b>	120	208	240	277
<b>Line Current ( Amps )</b>				
Operating	4.00	2.25	2.00	1.70
Open Circuit	1.80	0.95	0.90	0.75
Starting	3.65	2.05	1.85	1.55
<b>Recommended Fuse (Amps)</b>	10	6	5	5
<b>Regulation</b>				
Line Volts	±10%	±10%	±10%	±10%
Lamp Watts	±10%	±10%	±10%	±10%
<b>Temperature Ratings</b>				
Insulation Class	180 (H)	180 (H)	180 (H)	180 (H)
Coil Temperature Code	C	C	D	D
Benchtop Coil Rise	80.5	81.4	89.4	89.2
<b>Power Factor (%) HPF</b>	90	90	90	90
<b>Input Watts</b>	450 W	450 W	450 W	450 W
<b>Efficiency</b>	89.0%	89.0%	89.0%	89.0%
<b>NOM. Open Circuit Voltage</b>	250	250	250	250
<b>Input Voltage At Lamp Dropout</b>	75	130	145	170
<b>Min Ambient Starting Temp</b>	-20°F/-30°C*	-20°F/-30°C*	-20°F/-30°C*	-20°F/-30°C*
<b>60 HZ TEST PROCEDURES</b>				
<b>High Potential Test (Volts)</b>				
1 Minute	1,600 V	1,600 V	1,600 V	1,600 V
1 Second	1,900 V	1,900 V	1,900 V	1,900 V
<b>Open Circuit Voltage Test (V)</b>	225 - 270	225 - 270	225 - 270	225 - 270
<b>Short Circuit Current Test (A)</b>				
Secondary Current				
Min	3.50	3.50	3.50	3.50
Max	4.30	4.30	4.30	4.30
Input Current				
Min	2.85	1.60	1.45	1.25
Max	4.30	2.40	2.15	1.85
<b>CORE and COIL Specifications</b>				
Dimension (A)	1.92 in	1.92 in	1.92 in	1.92 in
Dimension (B)	4.10 in	4.10 in	4.10 in	4.10 in
Weight	10.0 lb's	10.0 lb's	10.0 lb's	10.0 lb's
Lead Lengths	12 "	12 "	12 "	12 "
<b>Capacitor Requirement</b>				
Microfarads	26.0 uf	26.0 uf	26.0 uf	26.0 uf
Volts (Min)	345 V	345 V	345 V	345 V



<b>Capacitor:</b>	ACG278	<b>Ignitor:</b>	BVS-041
Microfarads:	26.0 uf	Case Temp (Max):	105 °C
Volts (Max):	400 V	BTL Distance (Max)	2 ft
Case Temp (Max)	100 °C		
Height (Max):	4.80 in		
Dia (Max):	1.80 in		
Oval Width (Max):			

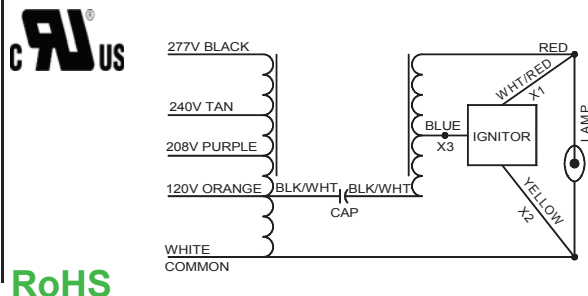


**Ordering Information**    Add Suffix for options  
 C - With Dry Capacitor  
 CB - With Dry Capacitor and Welded Bracket  
 B - With Welded Bracket, no Capacitor  
 K - Prewired, with Dry Capacitor and Bracket Kit

\* -40°F/-40°C Min Ambient Starting Temp with Venture Lamp

Data is based upon tests performed by Venture Lighting in a controlled environment and is representative of relative performance. Actual performance can vary depending on operating conditions. Specifications are subject to change without notice.

**04/21/2020    Production**                      Coil Material (PRI/SEC): AI / AI



**RoHS**