



BALLAST SPECIFICATION

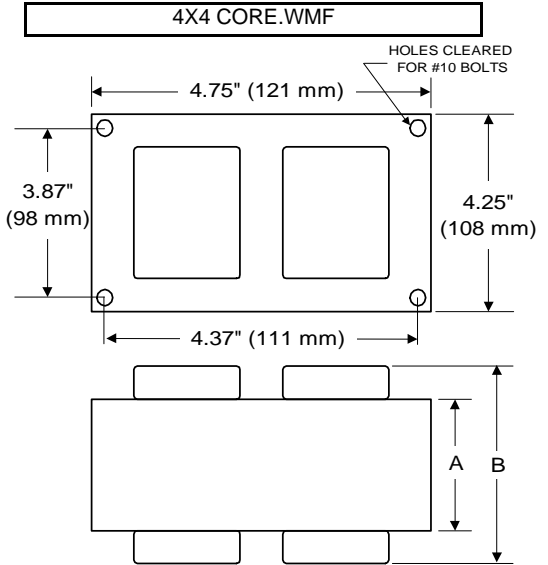
210W MXXX-210PS

Pulse Start Metal Halide

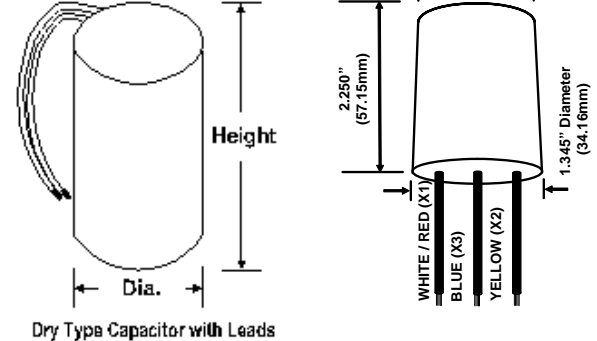
V90J5310

60 Hz CWA C&C

Input Volts	120	277	347
Line Current (Amps)			
Operating	2.00	0.95	0.75
Open Circuit	1.05	0.55	0.45
Starting	1.50	0.65	0.55
Recommended Fuse (Amps)	6	3	2
Regulation			
Line Volts	±10%	±10%	±10%
Lamp Watts	±10%	±10%	±10%
Temperature Ratings			
Insulation Class	180 (H)	180 (H)	180 (H)
Coil Temperature Code	A	B	B
Benchtop Coil Rise	74.8	77.5	78.7
Power Factor (%) HPF	90	90	90
Input Watts	250 W	250 W	250 W
Efficiency	84.0%	84.0%	84.0%
NOM. Open Circuit Voltage	195	195	195
Input Voltage At Lamp Dropout	90	190	250
Min Ambient Starting Temp	-40°F/-40°C	-40°F/-40°C	-40°F/-40°C
60 HZ TEST PROCEDURES			
High Potential Test (Volts)			
1 Minute	1,700 V	1,700 V	1,700 V
1 Second	2,100 V	2,100 V	2,100 V
Open Circuit Voltage Test (V)	175 - 215	175 - 215	175 - 215
Short Circuit Current Test (A)			
Secondary Current			
Min	3.00	3.00	3.00
Max	3.65	3.65	3.65
Input Current			
Min	1.10	0.45	0.35
Max	1.70	0.75	0.60
CORE and COIL Specifications			
Dimension (A)	1.20 in	1.20 in	1.20 in
Dimension (B)	3.00 in	3.00 in	3.00 in
Weight	8.2 lb's	8.2 lb's	8.2 lb's
Lead Lengths	12 "	12 "	12 "
Capacitor Requirement			
Microfarads	28.0 uf	28.0 uf	28.0 uf
Volts (Min)	240 V	240 V	240 V



Capacitor:	ACG206	Ignitor:	BVS-041
Microfarads:	28.0 uf	Case Temp (Max):	105 °C
Volts (Max):	330 V	BTL Distance (Max)	2 ft
Case Temp (Max)	100 °C		
Height (Max):	3.74 in		
Dia (Max):	1.80 in		
Oval Width (Max):			

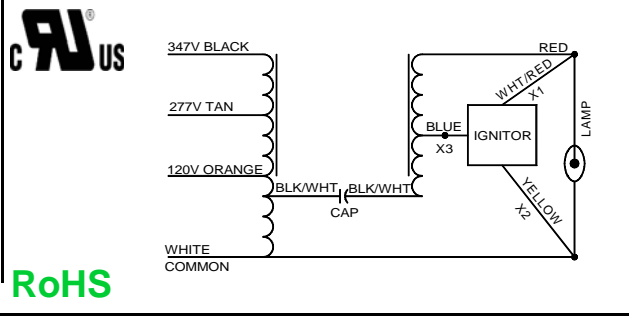


Ordering Information Add Suffix for options
 C - With Dry Capacitor
 CB - With Dry Capacitor and Welded Bracket
 B - With Welded Bracket, no Capacitor
 K - Prewired, with Dry Capacitor and Bracket Kit

* -40°F/-40°C Min Ambient Starting Temp with Venture Lamp

Data is based upon tests performed by Venture Lighting in a controlled environment and is representative of relative performance. Actual performance can vary depending on operating conditions. Specifications are subject to change without notice.

5/10/2018 **Production** Coil Material (PRI/SEC): Cu / Cu



RoHS