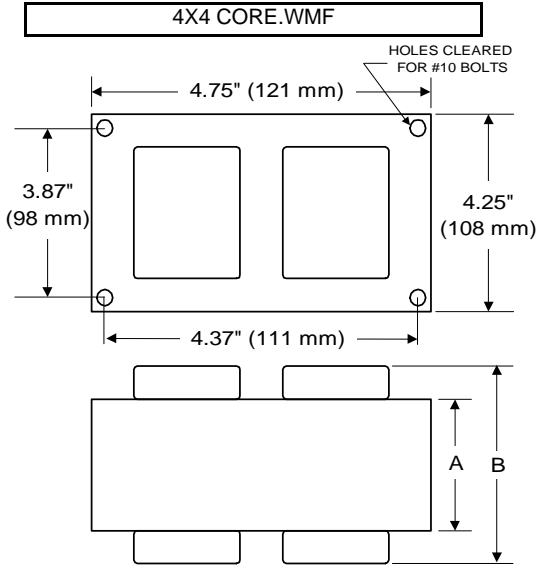




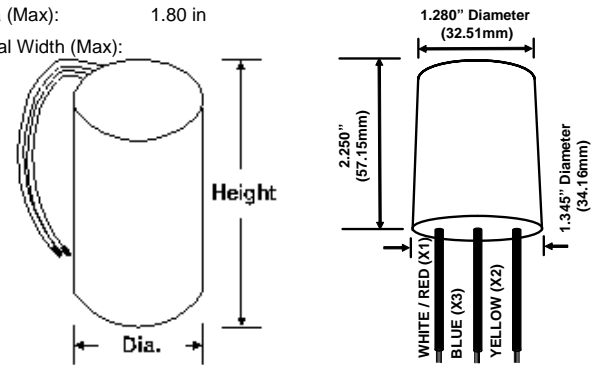
BALLAST SPECIFICATION

575W M178
Pulse Start Metal Halide
V90J5530
60 Hz HX C&C

Input Volts	120	277	347
Line Current (Amps)			
Operating	6.40	2.30	2.05
Open Circuit	9.75	3.70	3.20
Starting	7.65	2.70	2.55
Recommended Fuse (Amps)	16	6	5
Regulation			
Line Volts	±5%	±5%	±5%
Lamp Watts	±10%	±10%	±10%
Temperature Ratings			
Insulation Class	180 (H)	180 (H)	180 (H)
Coil Temperature Code	D	C	D
Benchtop Coil Rise	89.9	80.5	89.5
Power Factor (%) HPF	90	90	90
Input Watts	635 W	635 W	635 W
Efficiency	90.0%	90.0%	90.0%
NOM. Open Circuit Voltage	325	325	325
Input Voltage At Lamp Dropout	75	190	235
Min Ambient Starting Temp	-20°F/-30°C*	-20°F/-30°C*	-20°F/-30°C*
60 HZ TEST PROCEDURES			
High Potential Test (Volts)			
1 Minute	1,700 V	1,700 V	1,700 V
1 Second	2,100 V	2,100 V	2,100 V
Open Circuit Voltage Test (V)	295 - 355	295 - 355	295 - 355
Short Circuit Current Test (A)			
Secondary Current			
Min	5.35	5.35	5.35
Max	6.50	6.50	6.50
Input Current			
Min	6.70	2.15	2.00
Max	10.05	3.15	3.00
CORE and COIL Specifications			
Dimension (A)	3.25 in	3.25 in	3.25 in
Dimension (B)	5.05 in	5.05 in	5.05 in
Weight	18.0 lb's	18.0 lb's	18.0 lb's
Lead Lengths	12 "	12 "	12 "
Capacitor Requirement			
Microfarads	38.0 uf	38.0 uf	38.0 uf
Volts (Min)	330 V	330 V	330 V



Capacitor:	ACG312	Ignitor:	BVS-045
Microfarads:	38.0 uf	Case Temp (Max):	105 °C
Volts (Max):	330 V	BTL Distance (Max)	2 ft
Case Temp (Max)	100 °C		
Height (Max):	4.80 in		
Dia (Max):	1.80 in		
Oval Width (Max):			



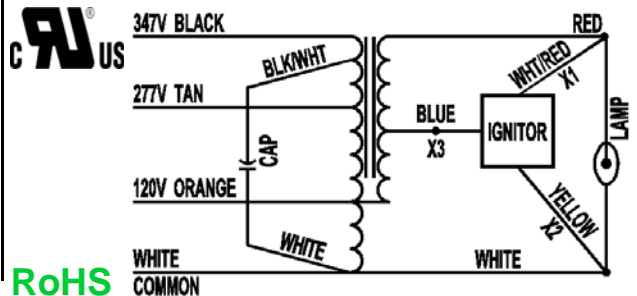
Dry Type Capacitor with Leads

Ordering Information Add Suffix for options
 C - With Dry Capacitor
 CB - With Dry Capacitor and Welded Bracket
 B - With Welded Bracket, no Capacitor
 K - Prewired, with Dry Capacitor and Bracket Kit

* -40°F/-40°C Min Ambient Starting Temp with Venture Lamp

Data is based upon tests performed by Venture Lighting in a controlled environment and is representative of relative performance. Actual performance can vary depending on operating conditions. Specifications are subject to change without notice.

5/10/2018 **Production** Coil Material (PRI/SEC): Cu / Cu



RoHS