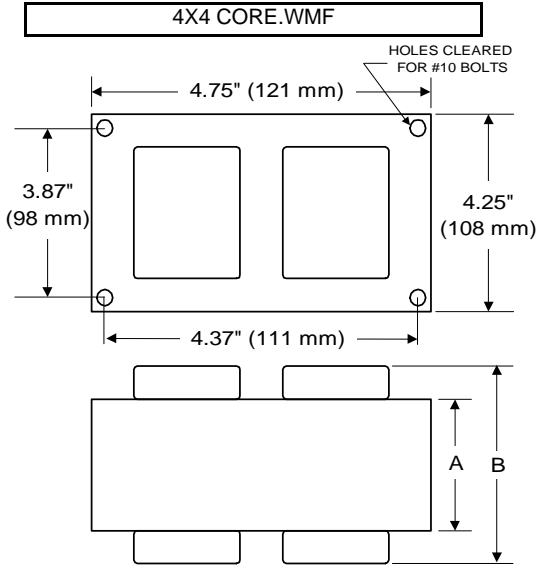




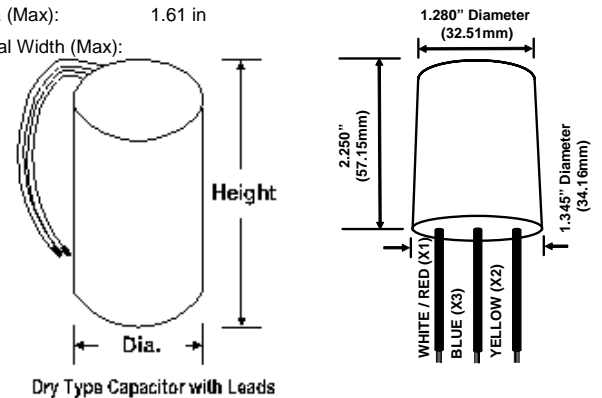
**BALLAST SPECIFICATION**

**350W M131**  
**Pulse Start Metal Halide**  
**V90J7512**  
**60 Hz CWA C&C**

<b>Input Volts</b>	120	277	347
<b>Line Current ( Amps )</b>			
Operating	3.60	1.55	1.20
Open Circuit	1.30	0.55	0.45
Starting	3.30	1.40	1.10
<b>Recommended Fuse (Amps)</b>	9	4	3
<b>Regulation</b>			
Line Volts	±10%	±10%	±10%
Lamp Watts	±10%	±10%	±10%
<b>Temperature Ratings</b>			
Insulation Class	180 (H)	180 (H)	180 (H)
Coil Temperature Code	B	C	C
Benchtop Coil Rise	77.9	84.5	80.5
<b>Power Factor (%) HPF</b>	90	90	90
<b>Input Watts</b>	395 W	395 W	395 W
<b>Efficiency</b>	89.0%	89.0%	89.0%
<b>NOM. Open Circuit Voltage</b>	245	245	245
<b>Input Voltage At Lamp Dropout</b>	85	190	240
<b>Min Ambient Starting Temp</b>	-20°F/-30°C*	-20°F/-30°C*	-20°F/-30°C*
<b>60 HZ TEST PROCEDURES</b>			
<b>High Potential Test (Volts)</b>			
1 Minute	1,700 V	1,700 V	1,700 V
1 Second	2,100 V	2,100 V	2,100 V
<b>Open Circuit Voltage Test (V)</b>	215 - 275	215 - 275	215 - 275
<b>Short Circuit Current Test (A)</b>			
Secondary Current			
Min	3.25	3.25	3.25
Max	3.95	3.95	3.95
Input Current			
Min	2.50	1.10	0.90
Max	3.80	1.70	1.35
<b>CORE and COIL Specifications</b>			
Dimension (A)	1.92 in	1.92 in	1.92 in
Dimension (B)	3.80 in	3.80 in	3.80 in
Weight	10.5 lb's	10.5 lb's	10.5 lb's
Lead Lengths	12 "	12 "	12 "
<b>Capacitor Requirement</b>			
Microfarads	24.0 uf	24.0 uf	24.0 uf
Volts (Min)	330 V	330 V	330 V



<b>Capacitor:</b>	ACG213	<b>Ignitor:</b>	BVS-041
Microfarads:	24.0 uf	Case Temp (Max):	105 °C
Volts (Max):	330 V	BTL Distance (Max)	2 ft
Case Temp (Max)	100 °C		
Height (Max):	3.68 in		
Dia (Max):	1.61 in		
Oval Width (Max):			



**Ordering Information**    Add Suffix for options  
 C - With Dry Capacitor  
 CB - With Dry Capacitor and Welded Bracket  
 B - With Welded Bracket, no Capacitor  
 K - Prewired, with Dry Capacitor and Bracket Kit

\* -40°F/-40°C Min Ambient Starting Temp with Venture Lamp

Data is based upon tests performed by Venture Lighting in a controlled environment and is representative of relative performance. Actual performance can vary depending on operating conditions. Specifications are subject to change without notice.

**5/10/2018**    **Production**    Coil Material (PRI/SEC): Cu / Al



**RoHS**

