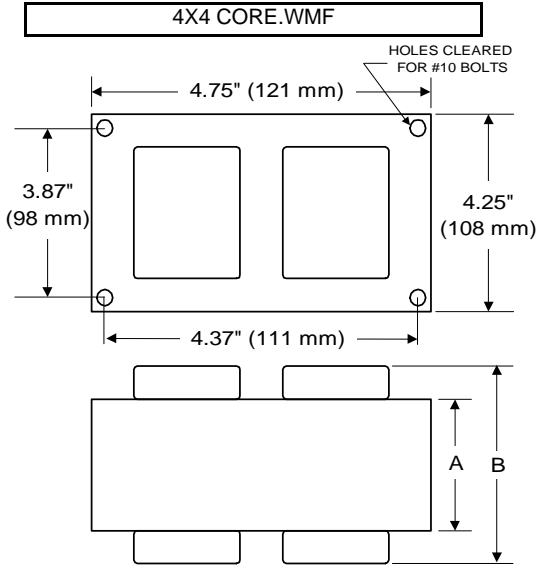




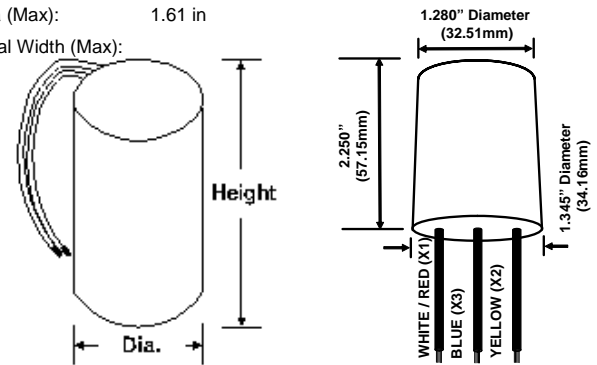
BALLAST SPECIFICATION

350W M131
Pulse Start Metal Halide
V90J7530
60 Hz HX C&C

Input Volts	120	277	347
Line Current (Amps)			
Operating	3.30	1.40	1.15
Open Circuit	5.10	2.15	1.75
Starting	3.65	1.60	1.30
Recommended Fuse (Amps)	9	4	3
Regulation			
Line Volts	±5%	±5%	±5%
Lamp Watts	±9%	±9%	±9%
Temperature Ratings			
Insulation Class	180 (H)	180 (H)	180 (H)
Coil Temperature Code	C	C	C
Benchtop Coil Rise	84.4	83.9	84.9
Power Factor (%) HPF	90	90	90
Input Watts	395 W	395 W	395 W
Efficiency	89.0%	89.0%	89.0%
NOM. Open Circuit Voltage	275	275	275
Input Voltage At Lamp Dropout	90	205	255
Min Ambient Starting Temp	-20°F/-30°C*	-20°F/-30°C*	-20°F/-30°C*
60 HZ TEST PROCEDURES			
High Potential Test (Volts)			
1 Minute	2,000 V	2,000 V	2,000 V
1 Second	2,400 V	2,400 V	2,400 V
Open Circuit Voltage Test (V)	245 - 305	245 - 305	245 - 305
Short Circuit Current Test (A)			
Secondary Current	Min 3.35 Max 4.15	Min 3.35 Max 4.15	Min 3.35 Max 4.15
Input Current	Min 2.95 Max 4.45	Min 1.25 Max 1.90	Min 1.05 Max 1.60
CORE and COIL Specifications			
Dimension (A)	1.80 in	1.80 in	1.80 in
Dimension (B)	3.90 in	3.90 in	3.90 in
Weight	10.5 lb's	10.5 lb's	10.5 lb's
Lead Lengths	12 "	12 "	12 "
Capacitor Requirement			
Microfarads	21.5 uf	21.5 uf	21.5 uf
Volts (Min)	290 V	290 V	290 V



Capacitor:	ACG200	Ignitor:	BVS-045
Microfarads:	21.5 uf	Case Temp (Max):	105 °C
Volts (Max):	330 V	BTL Distance (Max)	2 ft
Case Temp (Max)	100 °C		
Height (Max):	3.68 in		
Dia (Max):	1.61 in		
Oval Width (Max):			



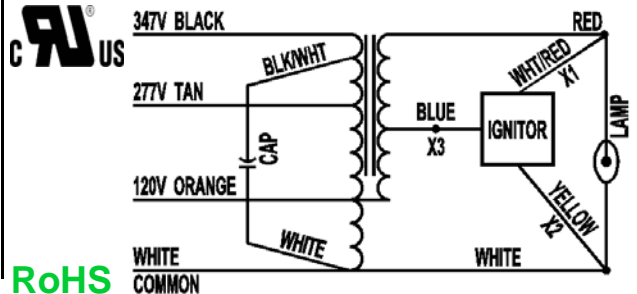
Dry Type Capacitor with Leads

Ordering Information Add Suffix for options
 C - With Dry Capacitor
 CB - With Dry Capacitor and Welded Bracket
 B - With Welded Bracket, no Capacitor
 K - Prewired, with Dry Capacitor and Bracket Kit

* -40°F/-40°C Min Ambient Starting Temp with Venture Lamp

Data is based upon tests performed by Venture Lighting in a controlled environment and is representative of relative performance. Actual performance can vary depending on operating conditions. Specifications are subject to change without notice.

5/10/2018 **Production** Coil Material (PRI/SEC): Cu / Cu



RoHS