



BALLAST SPECIFICATION

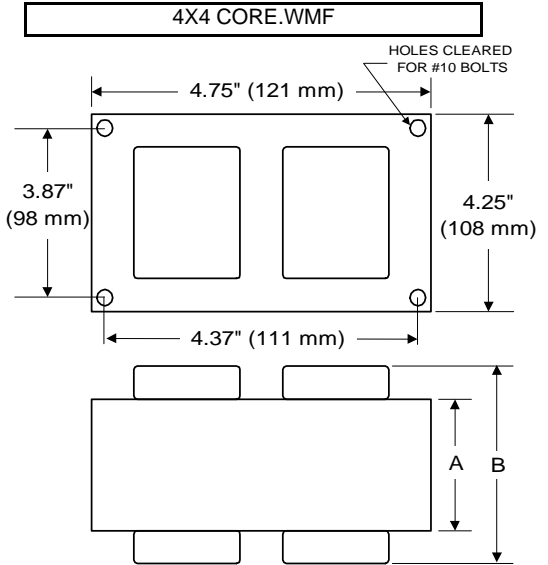
250W M138 / M153

Pulse Start Metal Halide

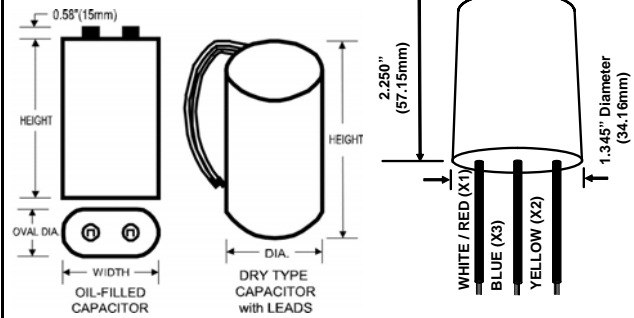
V90J8411

60 Hz CWA C&C

| | | | |
|---------------------------------------|----------------------|----------------------|----------------------|
| Input Volts | 120 | 277 | 347 |
| Line Current (Amps) | | | |
| Operating | 2.45 | 1.05 | 0.85 |
| Open Circuit | 2.45 | 1.05 | 0.85 |
| Starting | 1.30 | 0.60 | 0.50 |
| Recommended Fuse (Amps) | 7 | 3 | 3 |
| Regulation | | | |
| Line Volts | ±10% | ±10% | ±10% |
| Lamp Watts | ±9% | ±9% | ±9% |
| Temperature Ratings | | | |
| Insulation Class | 180 (H) | 180 (H) | 180 (H) |
| Coil Temperature Code | A | A | A |
| Benchtop Coil Rise | 58.3 | 59.3 | 60.7 |
| Power Factor (%) HPF | 90 | 90 | 90 |
| Input Watts | 284 W | 284 W | 284 W |
| Efficiency | 88.0% | 88.0% | 88.0% |
| NOM. Open Circuit Voltage | 275 | 275 | 275 |
| Input Voltage At Lamp Dropout | 65 | 145 | 185 |
| Min Ambient Starting Temp | -20°F/-30°C* | -20°F/-30°C* | -20°F/-30°C* |
| 60 HZ TEST PROCEDURES | | | |
| High Potential Test (Volts) | | | |
| 1 Minute | 1,700 V | 1,700 V | 1,700 V |
| 1 Second | 2,100 V | 2,100 V | 2,100 V |
| Open Circuit Voltage Test (V) | 250 - 300 | 250 - 300 | 250 - 300 |
| Short Circuit Current Test (A) | | | |
| Secondary Current | Min 2.25 Max 2.75 | Min 2.25 Max 2.75 | Min 2.25 Max 2.75 |
| Input Current | Min 0.85 Max 1.30 | Min 0.40 Max 0.60 | Min 0.30 Max 0.50 |
| CORE and COIL Specifications | | | |
| Dimension (A) | 2.00 in | 2.00 in | 2.00 in |
| Dimension (B) | 4.10 in | 4.10 in | 4.10 in |
| Weight | 10.0 lb's | 10.0 lb's | 10.0 lb's |
| Lead Lengths | 12 " | 12 " | 12 " |
| Capacitor Requirement | | | |
| Microfarads | 16.0 uf | 16.0 uf | 16.0 uf |
| Volts (Min) | 370 V | 370 V | 370 V |



| | | | |
|-------------------|-------------------|-----------------|-------------------------|
| Capacitor: | ACB2010V / ACG328 | Ignitor: | BVS-041 |
| Microfarads: | 16.0 uf | 16.0 uf | Case Temp (Max): 105 °C |
| Volts (Max): | 370 V | 400 V | BTL Distance (Max) 5 ft |
| Case Temp (Max) | 100 °C | 100 °C | |
| Height (Max): | 3.25 in | 3.74 in | |
| Dia (Max): | 1.97 in | 1.80 in | |
| Oval Width (Max): | 2.97 in | | |



Ordering Information Add Suffix for options
 C - With Oil-Filled Capacitor
 CB - With Oil-Filled Capacitor and Welded Bracket
 B - With Welded Bracket, no Capacitor
 K - Prewired, with Dry Capacitor and Bracket Kit
 D - With Dry Capacitor
 DB - With Dry Capacitor and Welded Bracket
 * -40°F/-40°C Min Ambient Starting Temp with Venture Lamp

Data is based upon tests performed by Venture Lighting in a controlled environment and is representative of relative performance. Actual performance can vary depending on operating conditions. Specifications are subject to change without notice.

5/10/2018 **Production** Coil Material (PRI/SEC): AI / AI

Complies with the Energy Independence and Security Act of 2007 and California Title 20 Appliance Efficiency Regulations



RoHS

