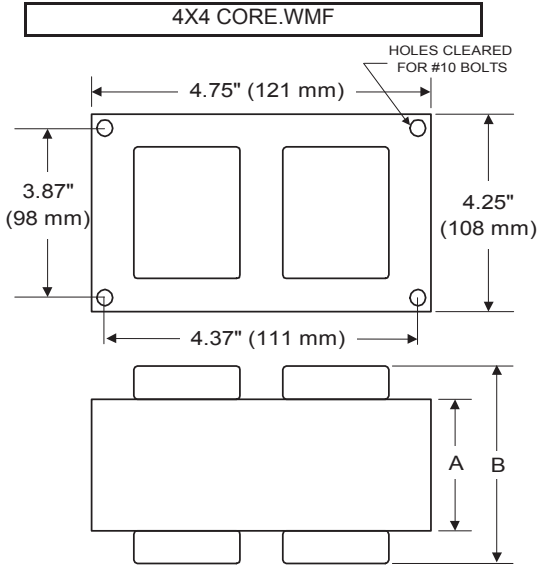




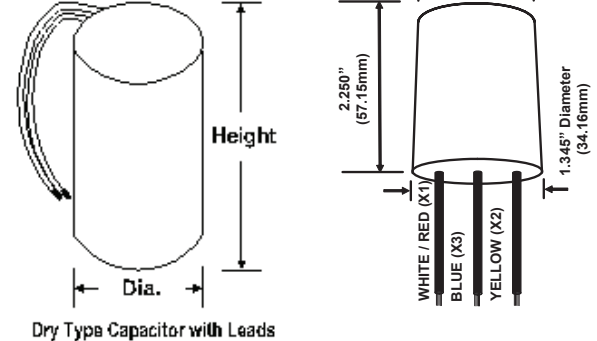
**BALLAST SPECIFICATION**

**450W M144**  
**Pulse Start Metal Halide**  
**V90J8511**  
**60 Hz CWA C&C**

<b>Input Volts</b>	120	277	347
<b>Line Current ( Amps )</b>			
Operating	4.40	1.90	1.50
Open Circuit	1.50	0.65	0.50
Starting	4.00	1.70	1.40
<b>Recommended Fuse (Amps)</b>	11	5	4
<b>Regulation</b>			
Line Volts	±10%	±10%	±10%
Lamp Watts	±10%	±10%	±10%
<b>Temperature Ratings</b>			
Insulation Class	180 (H)	180 (H)	180 (H)
Coil Temperature Code	D	D	D
Benchtop Coil Rise	86.4	88.0	89.9
<b>Power Factor (%) HPF</b>	90	90	90
<b>Input Watts</b>	507 W	507 W	507 W
<b>Efficiency</b>	89.0%	89.0%	89.0%
<b>NOM. Open Circuit Voltage</b>	255	255	255
<b>Input Voltage At Lamp Dropout</b>	70	160	200
<b>Min Ambient Starting Temp</b>	-20°F/-30°C*	-20°F/-30°C*	-20°F/-30°C*
<b>60 HZ TEST PROCEDURES</b>			
<b>High Potential Test (Volts)</b>			
1 Minute	2,000 V	2,000 V	2,000 V
1 Second	2,500 V	2,500 V	2,500 V
<b>Open Circuit Voltage Test (V)</b>	230 - 280	230 - 280	230 - 280
<b>Short Circuit Current Test (A)</b>			
Secondary Current			
Min	4.20	4.20	4.20
Max	5.20	5.20	5.20
Input Current			
Min	3.10	1.30	1.05
Max	4.65	2.00	1.60
<b>CORE and COIL Specifications</b>			
Dimension (A)	2.30 in	2.30 in	2.30 in
Dimension (B)	4.20 in	4.20 in	4.20 in
Weight	12.3 lb's	12.3 lb's	12.3 lb's
Lead Lengths	12 "	12 "	12 "
<b>Capacitor Requirement</b>			
Microfarads	32.0 uf	32.0 uf	32.0 uf
Volts (Min)	300 V	300 V	300 V



<b>Capacitor:</b>	ACG320	<b>Ignitor:</b>	BVS-041
Microfarads:	32.0 uf	Case Temp (Max):	105 °C
Volts (Max):	330 V	BTL Distance (Max)	2 ft
Case Temp (Max)	100 °C		
Height (Max):	4.68 in		
Dia (Max):	1.61 in		
Oval Width (Max):			

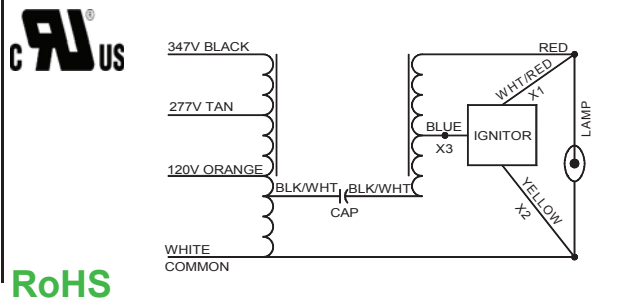


**Ordering Information**    Add Suffix for options  
 C - With Dry Capacitor  
 CB - With Dry Capacitor and Welded Bracket  
 B - With Welded Bracket, no Capacitor  
 K - Prewired, with Dry Capacitor and Bracket Kit

\* -40°F/-40°C Min Ambient Starting Temp with Venture Lamp

Data is based upon tests performed by Venture Lighting in a controlled environment and is representative of relative performance. Actual performance can vary depending on operating conditions. Specifications are subject to change without notice.

**08/25/2022**    **Production**    Coil Material (PRI/SEC): Cu / Al



**RoHS**