



BALLAST SPECIFICATION

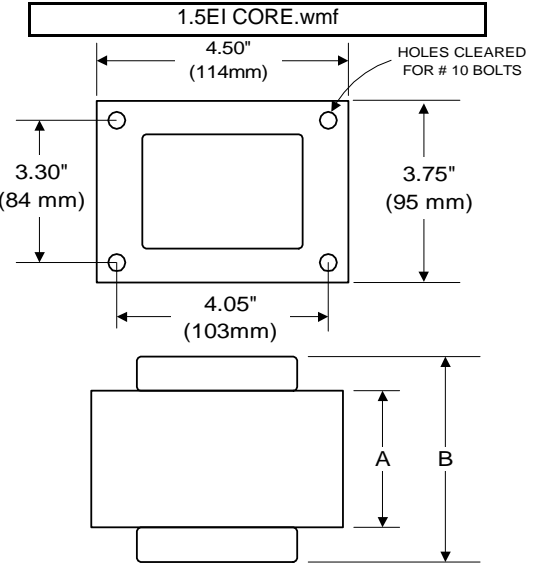
250W M138 / M153

Pulse Start Metal Halide

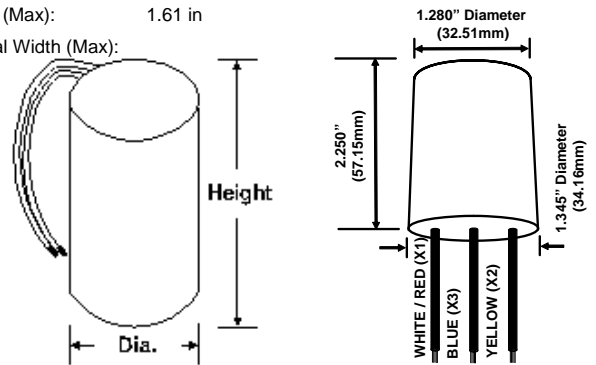
V90U8421

60 Hz RCT C&C

Input Volts	277			
Line Current (Amps)				
Operating	1.10			
Open Circuit	1.35			
Starting	1.25			
Recommended Fuse (Amps)	4			
Regulation				
Line Volts	±5%			
Lamp Watts	±10%			
Temperature Ratings				
Insulation Class	180 (H)			
Coil Temperature Code	A			
Benchtop Coil Rise	72.9			
Power Factor (%) HPF	90			
Input Watts	275 W			
Efficiency	91.0%			
NOM. Open Circuit Voltage	277			
Input Voltage At Lamp Dropout	200			
Min Ambient Starting Temp	-20°F/-30°C*			
60 HZ TEST PROCEDURES				
High Potential Test (Volts)				
1 Minute	2,000 V			
1 Second	2,500 V			
Open Circuit Voltage Test (V)	250 - 305			
Short Circuit Current Test (A)				
Secondary Current	Min 2.40			
	Max 3.00			
Input Current	Min 1.00			
	Max 1.60			
CORE and COIL Specifications				
Dimension (A)	1.25 in			
Dimension (B)	3.40 in			
Weight	6.0 lb's			
Lead Lengths	12 "			
Capacitor Requirement				
Microfarads	13.0 uf			
Volts (Min)	280 V			



Capacitor:	ACG307	Ignitor:	BVS-041
Microfarads:	13.0 uf	Case Temp (Max):	105 °C
Volts (Max):	330 V	BTL Distance (Max)	5 ft
Case Temp (Max)	100 °C		
Height (Max):	2.76 in		
Dia (Max):	1.61 in		
Oval Width (Max):			



Dry Type Capacitor with Leads

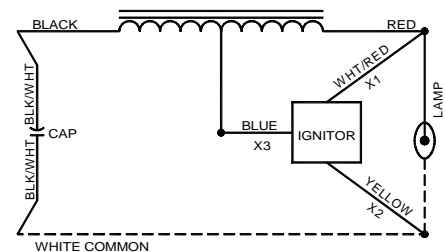
Ordering Information Add Suffix for options
 C - With Dry Capacitor
 CB - With Dry Capacitor and Welded Bracket
 B - With Welded Bracket, no Capacitor
 K - Prewired, with Dry Capacitor and Bracket Kit

* -40°F/-40°C Min Ambient Starting Temp with Venture Lamp

Data is based upon tests performed by Venture Lighting in a controlled environment and is representative of relative performance. Actual performance can vary depending on operating conditions. Specifications are subject to change without notice.

5/10/2018 **Production** Coil Material: Al

Complies with the Energy Independence and Security Act of 2007 and California Title 20 Appliance Efficiency Regulations



RoHS