



**BALLAST SPECIFICATION**

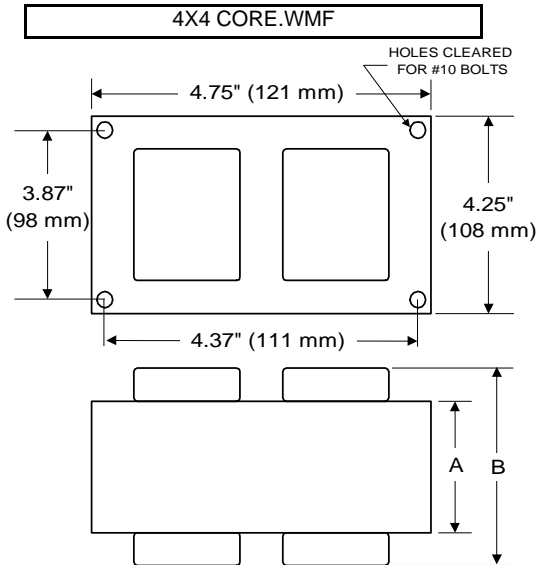
**210W MXXX-210PS**

Pulse Start Metal Halide

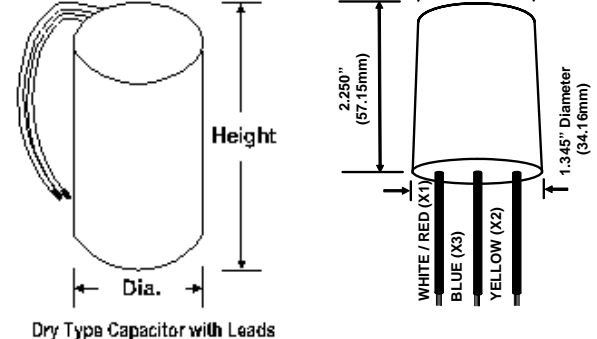
V90Y5310T

60 Hz CWA C&C

Input Volts	480
Line Current ( Amps )	
Operating	0.55
Open Circuit	0.30
Starting	0.35
Recommended Fuse (Amps)	2
Regulation	
Line Volts	±10%
Lamp Watts	±10%
Temperature Ratings	
Insulation Class	180 (H)
Coil Temperature Code	B
Benchtop Coil Rise	75.1
Power Factor (%) HPF	90
Input Watts	251 W
Efficiency	84.0%
NOM. Open Circuit Voltage	195
Input Voltage At Lamp Dropout	300
Min Ambient Starting Temp	-20°F/-30°C*
<b>60 HZ TEST PROCEDURES</b>	
High Potential Test (Volts)	
1 Minute	2,000 V
1 Second	2,400 V
Open Circuit Voltage Test (V)	175 - 215
Short Circuit Current Test (A)	
Secondary Current	Min 2.95 Max 3.65
Input Current	Min 0.25 Max 0.40
<b>CORE and COIL Specifications</b>	
Dimension (A)	1.20 in
Dimension (B)	3.00 in
Weight	8.3 lb's
Lead Lengths	12 "
Capacitor Requirement	
Microfarads	28.0 uf
Volts (Min)	240 V



Capacitor:	ACG206	Ignitor:	BVS-041
Microfarads:	28.0 uf	Case Temp (Max):	105 °C
Volts (Max):	330 V	BTL Distance (Max)	2 ft
Case Temp (Max)	100 °C		
Height (Max):	3.74 in		
Dia (Max):	1.80 in		
Oval Width (Max):			



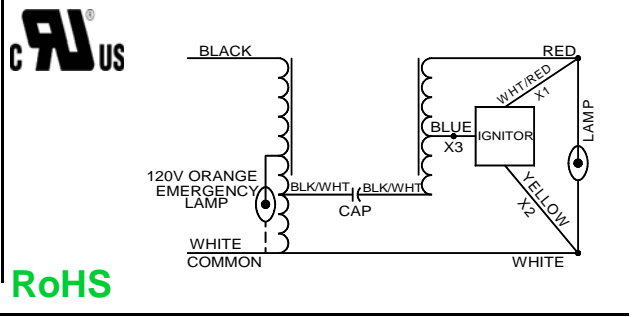
**Ordering Information**    Add Suffix for options

- C - With Dry Capacitor
- CB - With Dry Capacitor and Welded Bracket
- B - With Welded Bracket, no Capacitor
- K - Prewired, with Dry Capacitor and Bracket Kit

\* -40°F/-40°C Min Ambient Starting Temp with Venture Lamp

Data is based upon tests performed by Venture Lighting in a controlled environment and is representative of relative performance. Actual performance can vary depending on operating conditions. Specifications are subject to change without notice.

**5/10/2018**    **Production**    Coil Material (PRI/SEC): Cu / Cu



**RoHS**