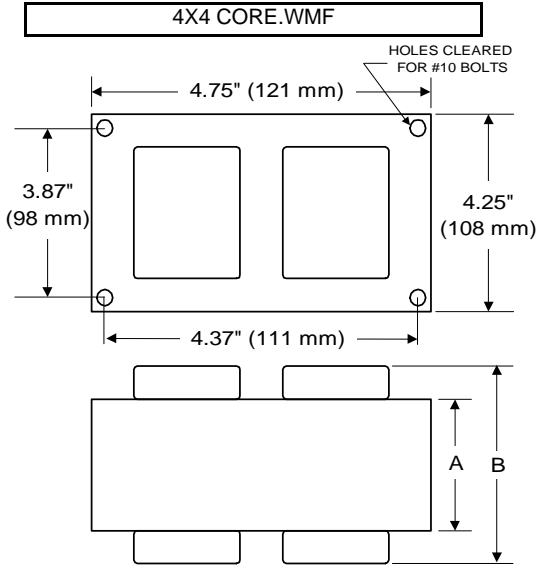




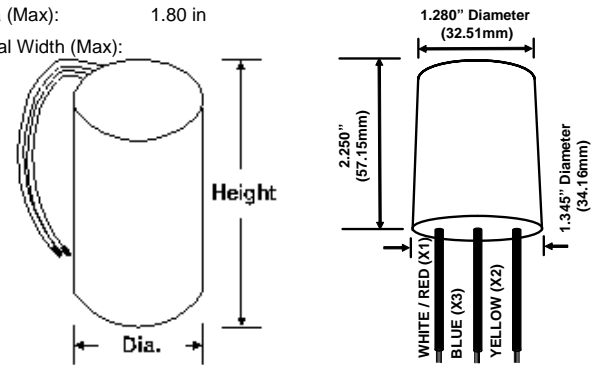
BALLAST SPECIFICATION

575W M178
Pulse Start Metal Halide
V90Y5510T
60 Hz CWA C&C

| | |
|-------------------------------------|--------------|
| Input Volts | 480 |
| Line Current (Amps) | |
| Operating | 1.40 |
| Open Circuit | 0.60 |
| Starting | 1.30 |
| Recommended Fuse (Amps) | 4 |
| Regulation | |
| Line Volts | ±10% |
| Lamp Watts | ±9% |
| Temperature Ratings | |
| Insulation Class | 180 (H) |
| Coil Temperature Code | D |
| Benchtop Coil Rise | 89.3 |
| Power Factor (%) HPF | 90 |
| Input Watts | 640 W |
| Efficiency | 89.0% |
| NOM. Open Circuit Voltage | 275 |
| Input Voltage At Lamp Dropout | 265 |
| Min Ambient Starting Temp | -20°F/-30°C* |
| 60 HZ TEST PROCEDURES | |
| High Potential Test (Volts) | |
| 1 Minute | 2,000 V |
| 1 Second | 2,400 V |
| Open Circuit Voltage Test (V) | 250 - 300 |
| Short Circuit Current Test (A) | |
| Secondary Current | Min 5.30 |
| Max 6.40 | |
| Input Current | Min 1.00 |
| Max 1.55 | |
| CORE and COIL Specifications | |
| Dimension (A) | 2.90 in |
| Dimension (B) | 4.95 in |
| Weight | 15.5 lb's |
| Lead Lengths | 12 " |
| Capacitor Requirement | |
| Microfarads | 38.0 uf |
| Volts (Min) | 330 V |



| | | | |
|-------------------|---------|--------------------|---------|
| Capacitor: | ACG312 | Ignitor: | BVS-041 |
| Microfarads: | 38.0 uf | Case Temp (Max): | 105 °C |
| Volts (Max): | 330 V | BTL Distance (Max) | 2 ft |
| Case Temp (Max) | 100 °C | | |
| Height (Max): | 4.80 in | | |
| Dia (Max): | 1.80 in | | |
| Oval Width (Max): | | | |



Dry Type Capacitor with Leads

Ordering Information Add Suffix for options
 C - With Dry Capacitor
 CB - With Dry Capacitor and Welded Bracket
 B - With Welded Bracket, no Capacitor
 K - Prewired, with Dry Capacitor and Bracket Kit

* -40°F/-40°C Min Ambient Starting Temp with Venture Lamp

Data is based upon tests performed by Venture Lighting in a controlled environment and is representative of relative performance. Actual performance can vary depending on operating conditions. Specifications are subject to change without notice.

5/10/2018 Production Coil Material (PRI/SEC): Al / Cu



RoHS

