



**BALLAST SPECIFICATION**

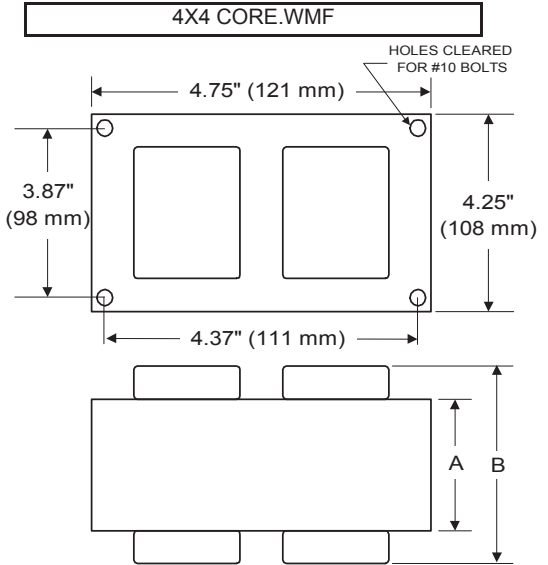
**400W M135 / M155**

**Pulse Start Metal Halide**

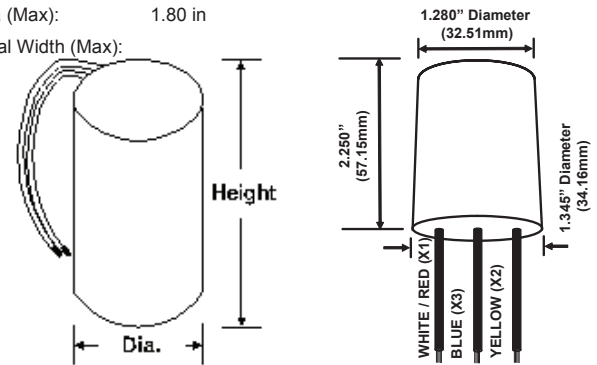
**V90Y7613T**

**60 Hz CWA C&C**

Input Volts	480
Line Current ( Amps )	
Operating	1.00
Open Circuit	0.50
Starting	0.80
Recommended Fuse (Amps)	3
Regulation	
Line Volts	±10%
Lamp Watts	±9%
Temperature Ratings	
Insulation Class	180 (H)
Coil Temperature Code	D
Benchtop Coil Rise	89.9
Power Factor (%) HPF	90
Input Watts	453 W
Efficiency	88.0%
NOM. Open Circuit Voltage	250
Input Voltage At Lamp Dropout	290
Min Ambient Starting Temp	-20°F/-30°C*
<b>60 HZ TEST PROCEDURES</b>	
High Potential Test (Volts)	
1 Minute	2,000 V
1 Second	2,400 V
Open Circuit Voltage Test (V)	225 - 275
Short Circuit Current Test (A)	
Secondary Current	Min 3.45 Max 4.25
Input Current	Min 0.65 Max 0.95
<b>CORE and COIL Specifications</b>	
Dimension (A)	2.00 in
Dimension (B)	4.10 in
Weight	11.0 lb's
Lead Lengths	12 "
<b>Capacitor Requirement</b>	
Microfarads	26.0 uf
Volts (Min)	345 V



Capacitor:	ACG278	Ignitor:	BVS-041
Microfarads:	26.0 uf	Case Temp (Max):	105 °C
Volts (Max):	400 V	BTL Distance (Max)	2 ft
Case Temp (Max)	100 °C		
Height (Max):	4.80 in		
Dia (Max):	1.80 in		
Oval Width (Max):			



Dry Type Capacitor with Leads

**Ordering Information** Add Suffix for options  
 C - With Dry Capacitor  
 CB - With Dry Capacitor and Welded Bracket  
 B - With Welded Bracket, no Capacitor  
 K - Prewired, with Dry Capacitor and Bracket Kit

\* -40°F/-40°C Min Ambient Starting Temp with Venture Lamp

Data is based upon tests performed by Venture Lighting in a controlled environment and is representative of relative performance. Actual performance can vary depending on operating conditions. Specifications are subject to change without notice.

**04/21/2020 Production** Coil Material (PRI/SEC): Cu / Al



**RoHS**

