



**BALLAST SPECIFICATION**

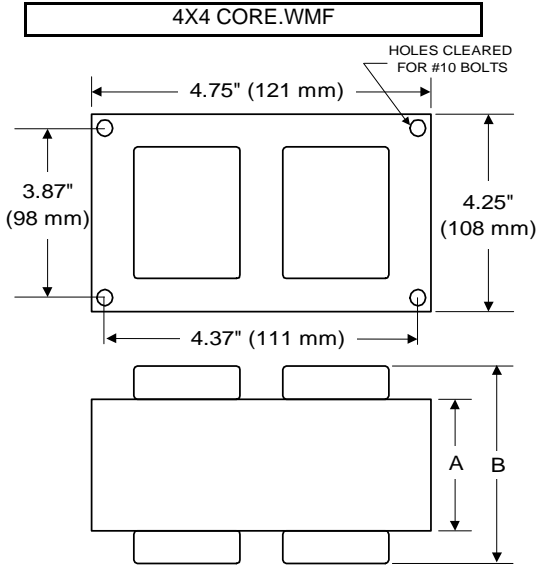
**250W M138 / M153**

**Pulse Start Metal Halide**

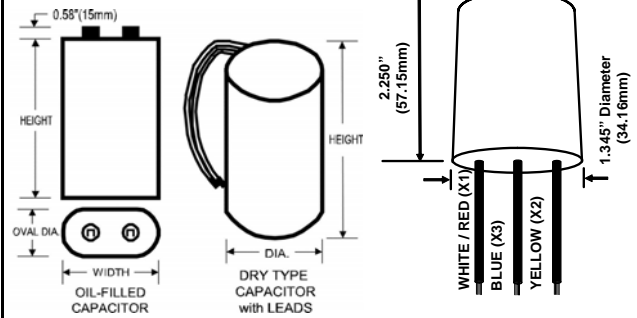
**V90Y8411T**

**60 Hz CWA C&C**

Input Volts	480
Line Current ( Amps )	
Operating	0.60
Open Circuit	0.45
Starting	0.45
Recommended Fuse (Amps)	2
Regulation	
Line Volts	±10%
Lamp Watts	±9%
Temperature Ratings	
Insulation Class	180 (H)
Coil Temperature Code	A
Benchtop Coil Rise	59.0
Power Factor (%) HPF	90
Input Watts	284 W
Efficiency	88.0%
NOM. Open Circuit Voltage	275
Input Voltage At Lamp Dropout	270
Min Ambient Starting Temp	-20°F/-30°C*
<b>60 HZ TEST PROCEDURES</b>	
High Potential Test (Volts)	
1 Minute	2,000 V
1 Second	2,400 V
Open Circuit Voltage Test (V)	245 - 300
Short Circuit Current Test (A)	
Secondary Current	Min 2.35
Max	2.90
Input Current	Min 0.35
Max	0.50
<b>CORE and COIL Specifications</b>	
Dimension (A)	2.00 in
Dimension (B)	4.05 in
Weight	11.5 lb's
Lead Lengths	12 "
<b>Capacitor Requirement</b>	
Microfarads	16.0 uf
Volts (Min)	370 V



Capacitor:	ACB2010V / ACG328	Ignitor:	BVS-041
Microfarads:	16.0 uf    16.0 uf	Case Temp (Max):	105 °C
Volts (Max):	370 V    400 V	BTL Distance (Max)	2 ft
Case Temp (Max)	100 °C    100 °C		
Height (Max):	3.25 in    3.74 in		
Dia (Max):	1.97 in    1.80 in		
Oval Width (Max):	2.97 in		



**Ordering Information**    Add Suffix for options  
 C - With Oil-Filled Capacitor  
 CB - With Oil-Filled Capacitor and Welded Bracket  
 B - With Welded Bracket, no Capacitor  
 K - Prewired, with Dry Capacitor and Bracket Kit  
 D - With Dry Capacitor  
 DB - With Dry Capacitor and Welded Bracket  
 \* -40°F/-40°C Min Ambient Starting Temp with Venture Lamp

Data is based upon tests performed by Venture Lighting in a controlled environment and is representative of relative performance. Actual performance can vary depending on operating conditions. Specifications are subject to change without notice.

**5/10/2018    Production    Coil Material (PRI/SEC): Al / Cu**

*Complies with the Energy Independence and Security Act of 2007 and California Title 20 Appliance Efficiency Regulations*



**RoHS**

