



BALLAST SPECIFICATION

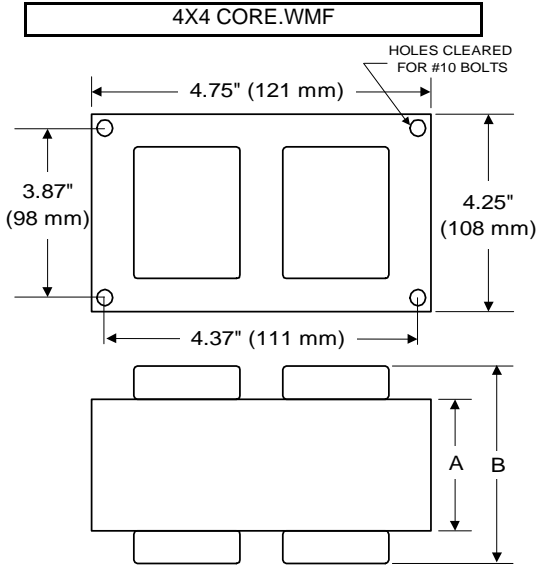
250W M138 / M153

Pulse Start Metal Halide

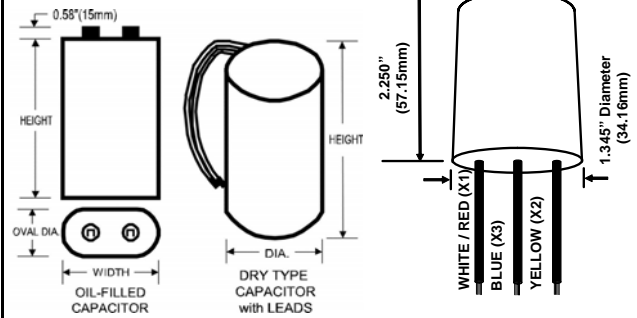
V90Y8412T

60 Hz CWA C&C

Input Volts	480
Line Current (Amps)	
Operating	0.60
Open Circuit	0.45
Starting	0.45
Recommended Fuse (Amps)	2
Regulation	
Line Volts	±10%
Lamp Watts	±9%
Temperature Ratings	
Insulation Class	180 (H)
Coil Temperature Code	A
Benchtop Coil Rise	49.4
Power Factor (%) HPF	90
Input Watts	278 W
Efficiency	90.0%
NOM. Open Circuit Voltage	275
Input Voltage At Lamp Dropout	270
Min Ambient Starting Temp	-20°F/-30°C*
60 HZ TEST PROCEDURES	
High Potential Test (Volts)	
1 Minute	2,000 V
1 Second	2,400 V
Open Circuit Voltage Test (V)	245 - 300
Short Circuit Current Test (A)	
Secondary Current	Min 2.30
Max	2.80
Input Current	Min 0.35
Max	0.50
CORE and COIL Specifications	
Dimension (A)	2.00 in
Dimension (B)	4.05 in
Weight	12.5 lb's
Lead Lengths	12 "
Capacitor Requirement	
Microfarads	16.0 uf
Volts (Min)	370 V



Capacitor:	ACB2010V / ACG328	Ignitor:	BVS-041
Microfarads:	16.0 uf 16.0 uf	Case Temp (Max):	105 °C
Volts (Max):	370 V 400 V	BTL Distance (Max)	2 ft
Case Temp (Max)	100 °C 100 °C		
Height (Max):	3.25 in 3.74 in		
Dia (Max):	1.97 in 1.80 in		
Oval Width (Max):	2.97 in		



Ordering Information Add Suffix for options
 C - With Oil-Filled Capacitor
 CB - With Oil-Filled Capacitor and Welded Bracket
 B - With Welded Bracket, no Capacitor
 K - Prewired, with Dry Capacitor and Bracket Kit
 D - With Dry Capacitor
 DB - With Dry Capacitor and Welded Bracket
 * -40°F/-40°C Min Ambient Starting Temp with Venture Lamp

Data is based upon tests performed by Venture Lighting in a controlled environment and is representative of relative performance. Actual performance can vary depending on operating conditions. Specifications are subject to change without notice.

5/10/2018 Production Coil Material (PRI/SEC): Cu / Cu

Complies with the Energy Independence and Security Act of 2007 and California Title 20 Appliance Efficiency Regulations



RoHS

