



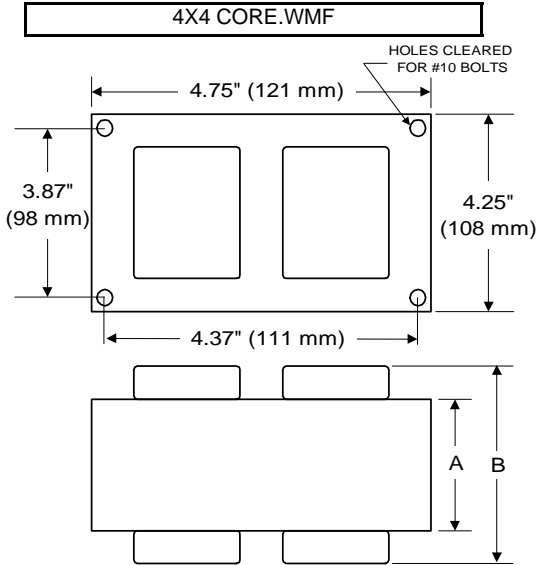
**BALLAST SPECIFICATION**

**250W M58**

**Metal Halide  
V90AM6215**

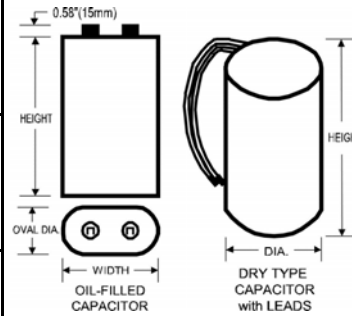
**60 Hz CWA C&C**

<b>Input Volts</b>	120	208	240	277	480
<b>Line Current ( Amps )</b>					
Operating	2.50	1.55	1.30	1.10	.65
Open Circuit	1.45	1.20	0.85	0.70	.45
Starting	2.20	1.25	1.10	0.95	.50
<b>Recommended Fuse (Amps)</b>	7	4	4	3	2
<b>Regulation</b>					
Line Volts	±10%	±10%	±10%	±10%	±10%
Lamp Watts	±10%	±10%	±10%	±10%	±10%
<b>Temperature Ratings</b>					
Insulation Class	180 (H)	180 (H)	180 (H)	180 (H)	180 (H)
Coil Temperature Code	A	A	A	A	B
Benchtop Coil Rise	63.1	69.9	68.3	71.9	75.4
<b>Power Factor (%)</b> HPF	90	90	90	90	90
<b>Input Watts</b>	284 W	284 W	284 W	284 W	284 W
<b>Efficiency</b>	88.0%	88.0%	88.0%	88.0%	88.0%
<b>NOM. Open Circuit Voltage</b>	305	305	305	305	305
<b>Input Voltage At Lamp Dropout</b>	60	95	115	135	220
<b>Min Ambient Starting Temp</b>	-20°F/-30°C	-20°F/-30°C	-20°F/-30°C	-20°F/-30°C	-20°F/-30°C
<b>60 HZ TEST PROCEDURES</b>					
<b>High Potential Test (Volts)</b>					
1 Minute	2,000 V	2,000 V	2,000 V	2,000 V	2,000 V
1 Second	2,400 V	2,400 V	2,400 V	2,400 V	2,400 V
<b>Open Circuit Voltage Test (V)</b>	275 - 335	275 - 335	275 - 335	275 - 335	275 - 335
<b>Short Circuit Current Test (A)</b>					
Secondary Current					
Min	2.33	2.33	2.33	2.33	2.33
Max	2.85	2.85	2.85	2.85	2.85
Input Current					
Min	1.70	0.95	0.85	0.75	0.40
Max	2.60	1.45	1.30	1.15	0.65
<b>CORE and COIL Specifications</b>					
Dimension (A)	1.60 in	1.60 in	1.60 in	1.60 in	1.60 in
Dimension (B)	3.35 in	3.35 in	3.35 in	3.35 in	3.35 in
Weight	9.8 lb's	9.8 lb's	9.8 lb's	9.8 lb's	9.8 lb's
Lead Lengths	12 "	12 "	12 "	12 "	12 "
<b>Capacitor Requirement</b>					
Microfarads	15.0 uf	15.0 uf	15.0 uf	15.0 uf	15.0 uf
Volts (Min)	400 V	400 V	400 V	400 V	400 V



Capacitor: ACB2770V / ACG277      Ignitor: None

Microfarads: 15.0 uf    15.0 uf  
 Volts (Max): 400 V    400 V  
 Case Temp (Max) 100 °C    100 °C  
 Height (Max): 2.75 in    3.68 in  
 Dia (Max): 1.97 in    1.80 in  
 Oval Width (Max): 2.97 in

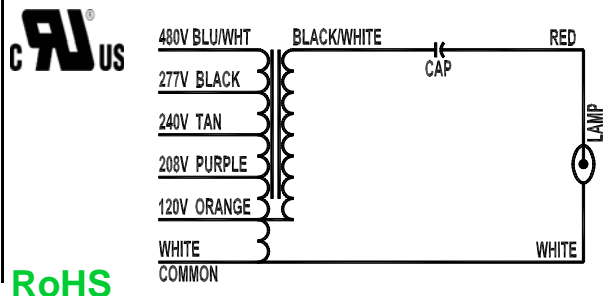


**This Ballast Does Not Require An Ignitor**

**Ordering Information    Add Suffix for options**  
 C - With Oil-Filled Capacitor  
 CB - With Oil-Filled Capacitor and Welded Bracket  
 B - With Welded Bracket, no Capacitor  
 K - Prewired, with Dry Capacitor and Bracket Kit  
 D - With Dry Capacitor  
 DB - With Dry Capacitor and Welded Bracket

Data is based upon tests performed by Venture Lighting in a controlled environment and is representative of relative performance. Actual performance can vary depending on operating conditions. Specifications are subject to change without notice.

**3/7/2013    Production    Coil material: primary Cu / Al and secondary**



**RoHS**