



BALLAST SPECIFICATION

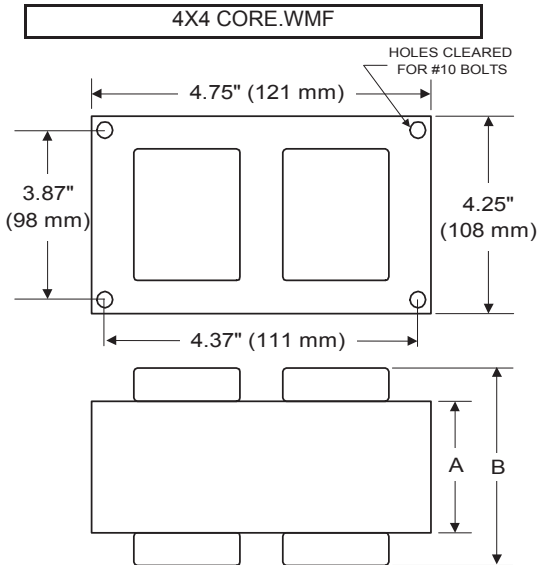
400W M59

Metal Halide

V90AM6411

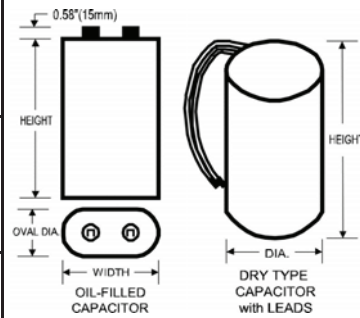
60 Hz CWA C&C

Input Volts	120	208	240	277	480
Line Current (Amps)					
Operating	4.00	2.40	2.00	1.70	1.00
Open Circuit	2.15	1.45	1.10	0.95	0.55
Starting	3.45	2.05	1.75	1.50	0.90
Recommended Fuse (Amps)	10	6	5	4	3
Regulation					
Line Volts	±10%	±10%	±10%	±10%	±10%
Lamp Watts	±9%	±9%	±9%	±9%	±9%
Temperature Ratings					
Insulation Class	180 (H)	180 (H)	180 (H)	180 (H)	180 (H)
Coil Temperature Code	C	E	E	D	E
Benchtop Coil Rise	83.8	93.9	92.0	89.9	91.5
Power Factor (%) HPF	90	90	90	90	90
Input Watts	457 W	457 W	457 W	457 W	457 W
Efficiency	87.0%	87.0%	87.0%	87.0%	87.0%
NOM. Open Circuit Voltage	305	305	305	305	305
Input Voltage At Lamp Dropout	65	105	125	140	240
Min Ambient Starting Temp	-20°F/-30°C	-20°F/-30°C	-20°F/-30°C	-20°F/-30°C	-20°F/-30°C
60 HZ TEST PROCEDURES					
High Potential Test (Volts)					
1 Minute	2,000 V	2,000 V	2,000 V	2,000 V	2,000 V
1 Second	2,400 V	2,400 V	2,400 V	2,400 V	2,400 V
Open Circuit Voltage Test (V)	275 - 335	275 - 335	275 - 335	275 - 335	275 - 335
Short Circuit Current Test (A)					
Secondary Current					
Min	3.50	3.50	3.50	3.50	3.50
Max	4.20	4.20	4.20	4.20	4.20
Input Current					
Min	2.70	1.60	1.40	1.20	0.70
Max	4.10	2.40	2.10	1.80	1.05
CORE and COIL Specifications					
Dimension (A)	2.15 in	2.15 in	2.15 in	2.15 in	2.15 in
Dimension (B)	4.20 in	4.20 in	4.20 in	4.20 in	4.20 in
Weight	11.4 lb's	11.4 lb's	11.4 lb's	11.4 lb's	11.4 lb's
Lead Lengths	12 "	12 "	12 "	12 "	12 "
Capacitor Requirement					
Microfarads	24.0 uf	24.0 uf	24.0 uf	24.0 uf	24.0 uf
Volts (Min)	365 V	365 V	365 V	365 V	365 V



Capacitor: ACB2470V / ACG247 Ignitor: None

Microfarads: 24.0 uf 24.0 uf
 Volts (Max): 400 V 400 V
 Case Temp (Max) 100 °C 100 °C
 Height (Max): 3.25 in 4.67 in
 Dia (Max): 1.97 in 1.80 in
 Oval Width (Max): 2.97 in

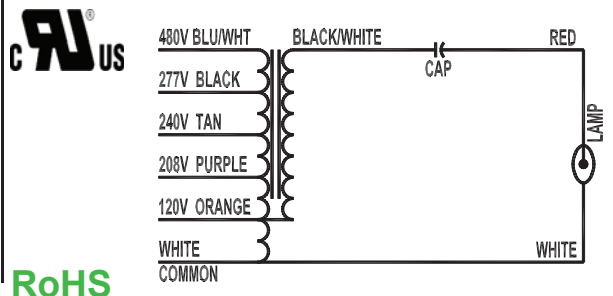


This Ballast Does Not Require An Ignitor

Ordering Information Add Suffix for options
 C - With Oil-Filled Capacitor
 CB - With Oil-Filled Capacitor and Welded Bracket
 B - With Welded Bracket, no Capacitor
 K - Prewired, with Dry Capacitor and Bracket Kit
 D - With Dry Capacitor
 DB - With Dry Capacitor and Welded Bracket

Data is based upon tests performed by Venture Lighting in a controlled environment and is representative of relative performance. Actual performance can vary depending on operating conditions. Specifications are subject to change without notice.

04/22/2020 **Production** Coil Material (PRI/SEC): Cu / Al



RoHS