



**BALLAST SPECIFICATION**

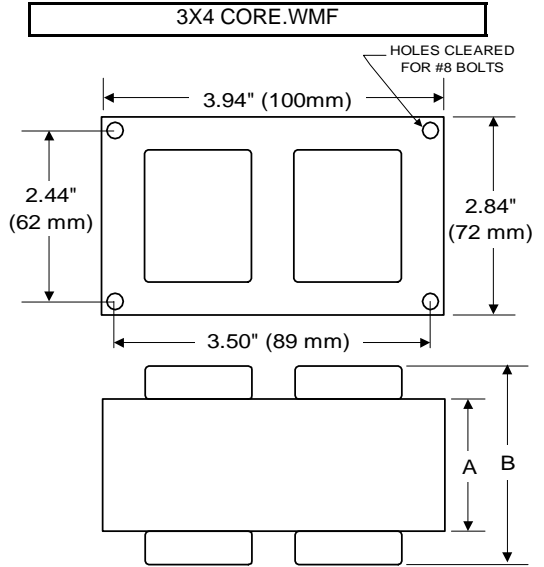
**175W M57 / M107**

**Metal Halide**

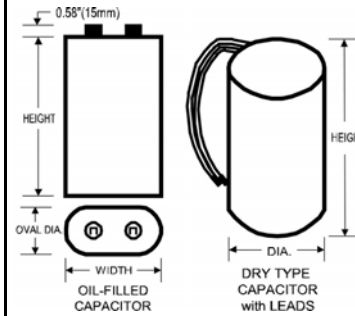
**V90B6112**

**60 Hz CWA C&C**

Input Volts	120				
Line Current ( Amps )					
Operating	1.80				
Open Circuit	1.40				
Starting	1.50				
Recommended Fuse (Amps)	5				
Regulation					
Line Volts	±10%				
Lamp Watts	±10%				
Temperature Ratings					
Insulation Class	180 (H)				
Coil Temperature Code	C				
Benchtop Coil Rise	82.0				
Power Factor (%) HPF	90				
Input Watts	206 W				
Efficiency					
NOM. Open Circuit Voltage	320				
Input Voltage At Lamp Dropout	60				
Min Ambient Starting Temp	-20°F/-30°C				
60 HZ TEST PROCEDURES					
High Potential Test (Volts)					
1 Minute	1,650 V				
1 Second	2,500 V				
Open Circuit Voltage Test (V)	290 - 355				
Short Circuit Current Test (A)					
Secondary Current	Min 1.55				
	Max 1.95				
Input Current	Min 1.20				
	Max 1.80				
CORE and COIL Specifications					
Dimension (A)	2.40 in				
Dimension (B)	3.80 in				
Weight	6.6 lb's				
Lead Lengths	12 "				
Capacitor Requirement					
Microfarads	10.0 uf				
Volts (Min)	400 V				



Capacitor:	ACB279OV / ACG279	Ignitor:	None
Microfarads:	10.0 uf	10.0 uf	
Volts (Max):	400 V	400 V	
Case Temp (Max)	100 °C	100 °C	
Height (Max):	2.75 in	3.68 in	
Dia (Max):	1.62 in	1.61 in	
Oval Width (Max):	2.75 in		



**This Ballast Does Not Require An Ignitor**

**Ordering Information**    Add Suffix for options  
 C - With Oil-Filled Capacitor  
 CB - With Oil-Filled Capacitor and Welded Bracket  
 B - With Welded Bracket, no Capacitor  
 K - Prewired, with Dry Capacitor and Bracket Kit  
 D - With Dry Capacitor  
 DB - With Dry Capacitor and Welded Bracket

Data is based upon tests performed by Venture Lighting in a controlled environment and is representative of relative performance. Actual performance can vary depending on operating conditions. Specifications are subject to change without notice.

**1/25/2012**    **Production**    Coil material: primary Cu and secondary Al



**RoHS**

