



BALLAST SPECIFICATION

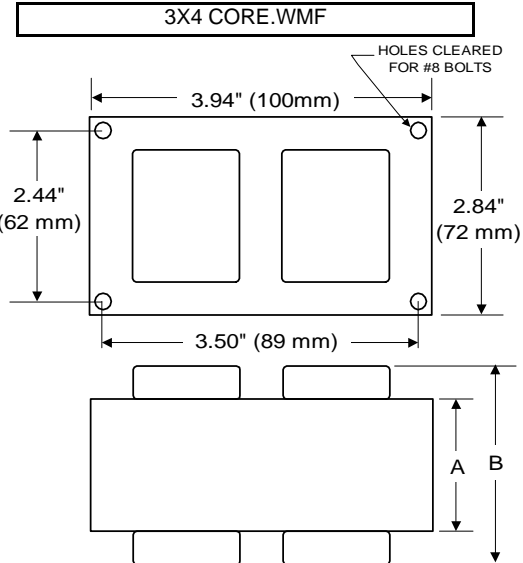
175W M57

Metal Halide

V90E6150

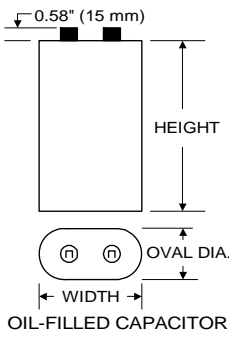
60 Hz CWI C&C

Input Volts	120	240
Line Current (Amps)		
Operating	1.90	0.95
Open Circuit	1.60	0.80
Starting	1.70	0.35
Recommended Fuse (Amps)	5	3
Regulation		
Line Volts	±10%	±10%
Lamp Watts	±5%	±5%
Temperature Ratings		
Insulation Class	180 (H)	180 (H)
Coil Temperature Code	B	B
Benchtop Coil Rise		
Power Factor (%) HPF	90	90
Input Watts	225 W	225 W
Efficiency		
NOM. Open Circuit Voltage	315	315
Input Voltage At Lamp Dropout	90	180
Min Ambient Starting Temp	-40°F/-40°C	-40°F/-40°C
60 HZ TEST PROCEDURES		
High Potential Test (Volts)		
1 Minute	2,000 V	2,000 V
1 Second	2,500 V	2,500 V
Open Circuit Voltage Test (V)	285 - 350	285 - 350
Short Circuit Current Test (A)		
Secondary Current Min	1.55	1.55
Max	1.90	1.90
Input Current Min	0.45	0.20
Max	0.55	0.30
CORE and COIL Specifications		
Dimension (A)	2.65 in	2.65 in
Dimension (B)	4.13 in	4.13 in
Weight	9.0 lb's	9.0 lb's
Lead Lengths	12 "	12 "
Capacitor Requirement		
Microfarads	9.0 uf	9.0 uf
Volts (Min)	520 V	520 V



Capacitor: ACB1110V Ignitor: None

Microfarads: 9.0 uf
 Volts (Max): 520 V
 Case Temp (Max) 100 °C
 Height (Max): 4.00 in
 Dia (Max): 1.62 in
 Oval Width (Max): 2.75 in



This Ballast Does Not Require An Ignitor

Ordering Information Add Suffix for options
 C - With Oil-Filled Capacitor
 CB - With Oil-Filled Capacitor and Welded Bracket
 B - With Welded Bracket, no Capacitor
 K - Prewired, with Oil-Filled Capacitor and Bracket Kit

Data is based upon tests performed by Venture Lighting in a controlled environment and is representative of relative performance. Actual performance can vary depending on operating conditions. Specifications are subject to change without notice.

5/11/2018 Production Coil Material (PRI/SEC): Cu / Cu



RoHS

