



BALLAST SPECIFICATION

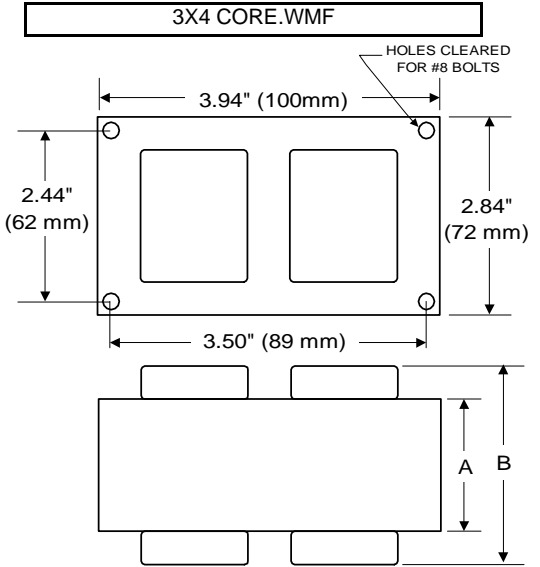
250W M58

Metal Halide

V90J6211

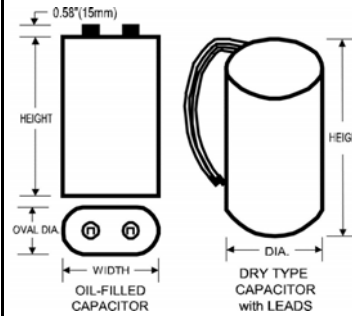
60 Hz CWA C&C

Input Volts	120	277	347
Line Current (Amps)			
Operating	2.50	1.10	0.90
Open Circuit	1.85	1.00	0.75
Starting	2.00	0.85	0.70
Recommended Fuse (Amps)	8	3	3
Regulation			
Line Volts	±10%	±10%	±10%
Lamp Watts	±7%	±7%	±7%
Temperature Ratings			
Insulation Class	180 (H)	180 (H)	180 (H)
Coil Temperature Code	A	D	C
Benchtop Coil Rise	74.5	86.2	82.5
Power Factor (%) HPF	90	90	90
Input Watts	293 W	293 W	293 W
Efficiency			
NOM. Open Circuit Voltage	310	310	310
Input Voltage At Lamp Dropout	65	115	130
Min Ambient Starting Temp	-20°F/-30°C	-20°F/-30°C	-20°F/-30°C
60 HZ TEST PROCEDURES			
High Potential Test (Volts)			
1 Minute	1,700 V	1,700 V	1,700 V
1 Second	2,100 V	2,100 V	2,100 V
Open Circuit Voltage Test (V)	280 - 340	280 - 340	280 - 340
Short Circuit Current Test (A)			
Secondary Current			
Min	2.20	2.20	2.20
Max	2.70	2.70	2.70
Input Current			
Min	1.60	0.65	0.55
Max	2.40	1.00	0.85
CORE and COIL Specifications			
Dimension (A)	2.80 in	2.80 in	2.80 in
Dimension (B)	4.20 in	4.20 in	4.20 in
Weight	8.5 lb's	8.5 lb's	8.5 lb's
Lead Lengths	12 "	12 "	12 "
Capacitor Requirement			
Microfarads	15.0 uf	15.0 uf	15.0 uf
Volts (Min)	360 V	360 V	360 V



Capacitor: ACB2770V / ACG277 Ignitor: None

Microfarads:	15.0 uf	15.0 uf
Volts (Max):	400 V	400 V
Case Temp (Max)	100 °C	100 °C
Height (Max):	3.19 in	3.68 in
Dia (Max):	1.97 in	1.80 in
Oval Width (Max):	2.97 in	

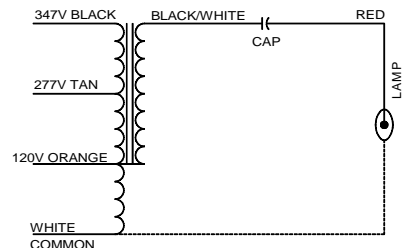


This Ballast Does Not Require An Ignitor

Ordering Information Add Suffix for options
 C - With Oil-Filled Capacitor
 CB - With Oil-Filled Capacitor and Welded Bracket
 B - With Welded Bracket, no Capacitor
 K - Prewired, with Dry Capacitor and Bracket Kit
 D - With Dry Capacitor
 DB - With Dry Capacitor and Welded Bracket

Data is based upon tests performed by Venture Lighting in a controlled environment and is representative of relative performance. Actual performance can vary depending on operating conditions. Specifications are subject to change without notice.

5/11/2018 Production Coil Material (PRI/SEC): Cu / Cu



RoHS