



**BALLAST SPECIFICATION**

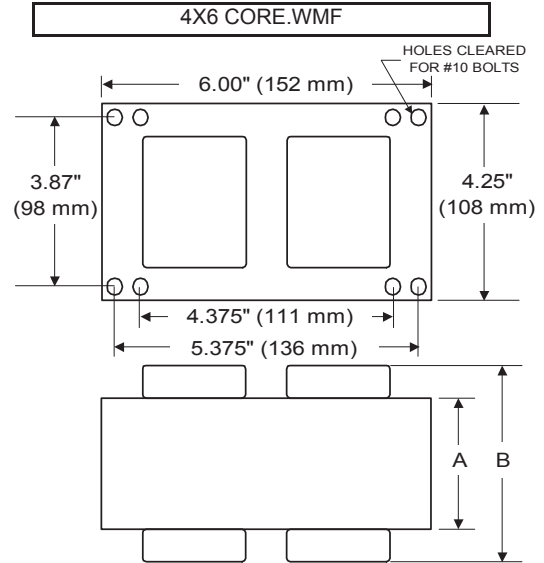
**1500W M48**

**Metal Halide**

**V90J6612**

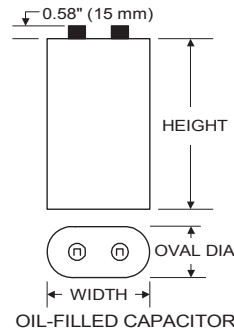
**60 Hz CWA C&C**

<b>Input Volts</b>	120	277	347
<b>Line Current ( Amps )</b>			
Operating	13.40	5.85	4.65
Open Circuit	7.80	3.40	2.70
Starting	10.40	4.50	3.60
<b>Recommended Fuse (Amps)</b>	34	15	12
<b>Regulation</b>			
Line Volts	±10%	±10%	±10%
Lamp Watts	±12%	±12%	±12%
<b>Temperature Ratings</b>			
Insulation Class	180 (H)	180 (H)	180 (H)
Coil Temperature Code	G	E	E
Benchtop Coil Rise	102.3	92.2	94.2
<b>Power Factor (%)</b> HPF	90	90	90
<b>Input Watts</b>	1605 W	1605 W	1605 W
<b>Efficiency</b>			
<b>NOM. Open Circuit Voltage</b>	450	450	450
<b>Input Voltage At Lamp Dropout</b>	70	160	190
<b>Min Ambient Starting Temp</b>	-20°F/-30°C	-20°F/-30°C	-20°F/-30°C
<b>60 HZ TEST PROCEDURES</b>			
<b>High Potential Test (Volts)</b>			
1 Minute	2,000 V	2,000 V	2,000 V
1 Second	2,400 V	2,400 V	2,400 V
<b>Open Circuit Voltage Test (V)</b>	405 - 495	405 - 495	405 - 495
<b>Short Circuit Current Test (A)</b>			
Secondary Current			
Min	7.10	7.10	7.10
Max	8.70	8.70	8.70
Input Current			
Min	8.10	3.40	2.70
Max	12.20	5.30	4.20
<b>CORE and COIL Specifications</b>			
Dimension (A)	4.10 in	4.10 in	4.10 in
Dimension (B)	6.10 in	6.10 in	6.10 in
Weight	30.0 lb's	30.0 lb's	30.0 lb's
Lead Lengths	12 "	12 "	12 "
<b>Capacitor Requirement</b>			
Microfarads	32.0 uf	32.0 uf	32.0 uf
Volts (Min)	525 V	525 V	525 V



Capacitor: ACB2560V      Ignitor: None

Microfarads: 32.0 uf  
 Volts (Max): 525 V  
 Case Temp (Max): 100 °C  
 Height (Max): 4.03 in  
 Dia (Max): 2.03 in  
 Oval Width (Max): 3.72 in



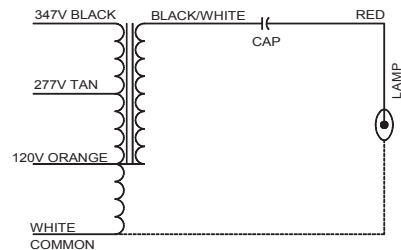
**This Ballast Does Not Require An Ignitor**

**Ordering Information    Add Suffix for options**

- C - With Oil-Filled Capacitor
- CB - With Oil-Filled Capacitor and Welded Bracket
- B - With Welded Bracket, no Capacitor

Data is based upon tests performed by Venture Lighting in a controlled environment and is representative of relative performance. Actual performance can vary depending on operating conditions. Specifications are subject to change without notice.

**04/22/2020    Production**



**RoHS**