



BALLAST SPECIFICATION

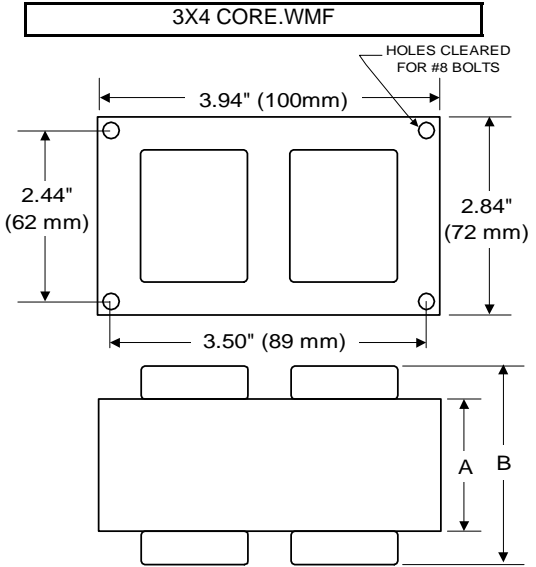
175W M57

Metal Halide

V90P6150T

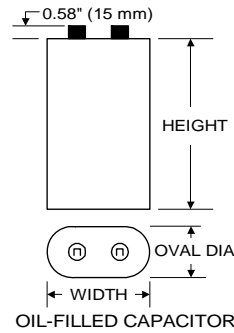
60 Hz CWI C&C

Input Volts	208			
Line Current (Amps)				
Operating	1.10			
Open Circuit	0.95			
Starting	0.41			
Recommended Fuse (Amps)	3			
Regulation				
Line Volts	±10%			
Lamp Watts	±5%			
Temperature Ratings				
Insulation Class	180 (H)			
Coil Temperature Code	C			
Benchtop Coil Rise				
Power Factor (%) HPF	90			
Input Watts	226 W			
Efficiency				
NOM. Open Circuit Voltage	315			
Input Voltage At Lamp Dropout	160			
Min Ambient Starting Temp	-20°F/-30°C			
60 HZ TEST PROCEDURES				
High Potential Test (Volts)				
1 Minute	1,650 V			
1 Second	2,000 V			
Open Circuit Voltage Test (V)	285 - 350			
Short Circuit Current Test (A)				
Secondary Current	Min 1.55			
	Max 1.90			
Input Current	Min 0.30			
	Max 0.50			
CORE and COIL Specifications				
Dimension (A)	2.65 in			
Dimension (B)	4.13 in			
Weight	9.0 lb's			
Lead Lengths	12 "			
Capacitor Requirement				
Microfarads	9.0 uf			
Volts (Min)	520 V			



Capacitor:	ACB1110V	Ignitor:	None
------------	----------	----------	------

Microfarads:	9.0 uf
Volts (Max):	520 V
Case Temp (Max)	100 °C
Height (Max):	3.94 in
Dia (Max):	1.62 in
Oval Width (Max):	2.75 in

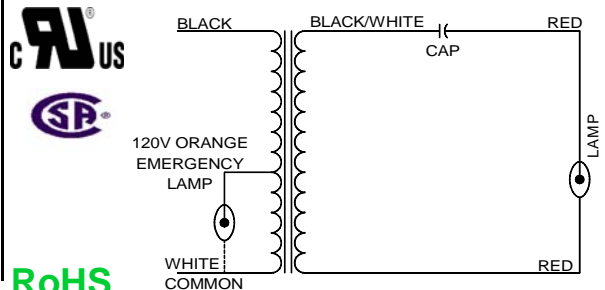


This Ballast Does Not Require An Ignitor

Ordering Information Add Suffix for options
 C - With Oil-Filled Capacitor
 CB - With Oil-Filled Capacitor and Welded Bracket
 B - With Welded Bracket, no Capacitor
 K - Prewired, with Oil-Filled Capacitor and Bracket Kit

Data is based upon tests performed by Venture Lighting in a controlled environment and is representative of relative performance. Actual performance can vary depending on operating conditions. Specifications are subject to change without notice.

10/18/2010 Production Coil material: primary Cu and secondary Cu



RoHS