



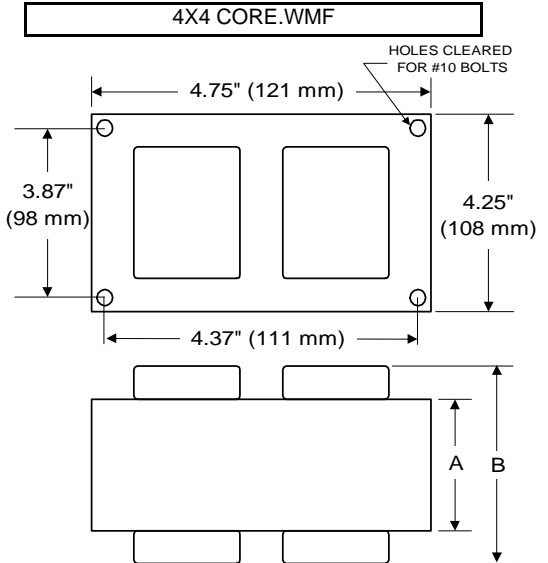
BALLAST SPECIFICATION

250W M58

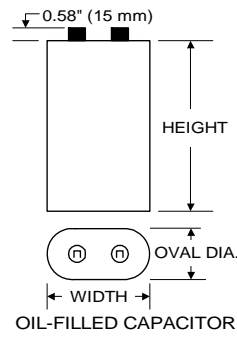
**Metal Halide
V90P6250T**

60 Hz CWI C&C

Input Volts	208			
Line Current (Amps)				
Operating	1.50			
Open Circuit				
Starting	0.45			
Recommended Fuse (Amps)	4			
Regulation				
Line Volts	±10%			
Lamp Watts	±5%			
Temperature Ratings				
Insulation Class	180 (H)			
Coil Temperature Code	A			
Benchtop Coil Rise				
Power Factor (%) HPF	90			
Input Watts	303 W			
Efficiency				
NOM. Open Circuit Voltage	300			
Input Voltage At Lamp Dropout				
Min Ambient Starting Temp	-20°F/-30°C			
60 HZ TEST PROCEDURES				
High Potential Test (Volts)				
1 Minute	2,000 V			
1 Second	2,500 V			
Open Circuit Voltage Test (V)	270 - 330			
Short Circuit Current Test (A)				
Secondary Current	Min 2.20			
	Max 2.70			
Input Current	Min 0.30			
	Max 0.60			
CORE and COIL Specifications				
Dimension (A)	2.16 in			
Dimension (B)	3.75 in			
Weight	14.0 lb's			
Lead Lengths	12 "			
Capacitor Requirement				
Microfarads	12.0 uf			
Volts (Min)	480 V			



Capacitor:	ACB1700V	Ignitor:	None
Microfarads:	12.0 uf		
Volts (Max):	480 V		
Case Temp (Max)	100 °C		
Height (Max):	3.25 in		
Dia (Max):	1.97 in		
Oval Width (Max):	2.97 in		

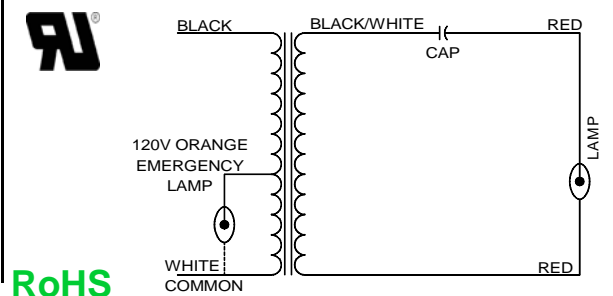


**This Ballast
Does Not
Require
An Ignitor**

Ordering Information Add Suffix for options
 C - With Oil-Filled Capacitor
 CB - With Oil-Filled Capacitor and Welded Bracket
 B - With Welded Bracket, no Capacitor
 K - Prewired, with Oil-Filled Capacitor and Bracket Kit

Data is based upon tests performed by Venture Lighting in a controlled environment and is representative of relative performance. Actual performance can vary depending on operating conditions. Specifications are subject to change without notice.

5/11/2018 Production Coil Material (PRI/SEC): Cu / Cu



RoHS