



BALLAST SPECIFICATION

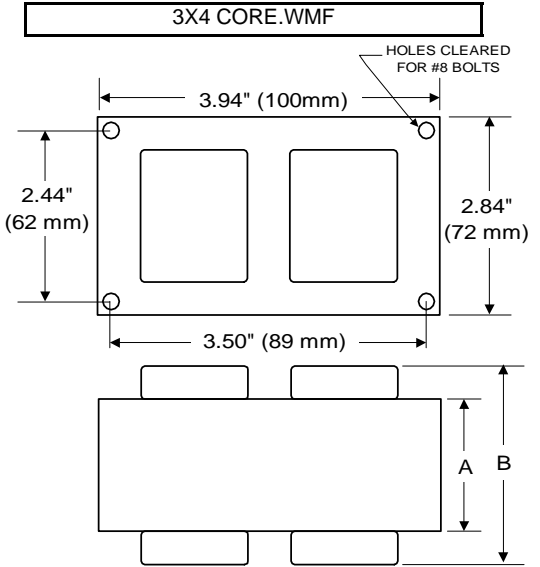
250W M58

Metal Halide

V90Y6211

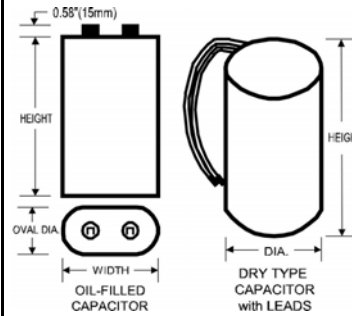
60 Hz CWA C&C

Input Volts	480				
Line Current (Amps)					
Operating	0.60				
Open Circuit	0.55				
Starting	0.45				
Recommended Fuse (Amps)	2				
Regulation					
Line Volts	±10%				
Lamp Watts	±7%				
Temperature Ratings					
Insulation Class	180 (H)				
Coil Temperature Code	D				
Benchtop Coil Rise					
Power Factor (%) HPF	90				
Input Watts	288 W				
Efficiency					
NOM. Open Circuit Voltage	305				
Input Voltage At Lamp Dropout	240				
Min Ambient Starting Temp	-20°F/-30°C				
60 HZ TEST PROCEDURES					
High Potential Test (Volts)					
1 Minute	2,000 V				
1 Second	2,400 V				
Open Circuit Voltage Test (V)	275 - 335				
Short Circuit Current Test (A)					
Secondary Current	Min 2.10				
	Max 2.60				
Input Current	Min 0.35				
	Max 0.55				
CORE and COIL Specifications					
Dimension (A)	3.00 in				
Dimension (B)	4.40 in				
Weight	9.1 lb's				
Lead Lengths	12 "				
Capacitor Requirement					
Microfarads	15.0 uf				
Volts (Min)	360 V				



Capacitor: ACB2770V / ACG277 Ignitor: None

Microfarads:	15.0 uf	15.0 uf
Volts (Max):	400 V	400 V
Case Temp (Max)	100 °C	100 °C
Height (Max):	2.75 in	3.68 in
Dia (Max):	1.97 in	1.80 in
Oval Width (Max):	2.97 in	



This Ballast Does Not Require An Ignitor

Ordering Information Add Suffix for options
 C - With Oil-Filled Capacitor
 CB - With Oil-Filled Capacitor and Welded Bracket
 B - With Welded Bracket, no Capacitor
 K - Prewired, with Dry Capacitor and Bracket Kit
 D - With Dry Capacitor
 DB - With Dry Capacitor and Welded Bracket

Data is based upon tests performed by Venture Lighting in a controlled environment and is representative of relative performance. Actual performance can vary depending on operating conditions. Specifications are subject to change without notice.

9/10/2008 Production Coil material: primary Cu and secondary Cu



RoHS

