



BALLAST SPECIFICATION

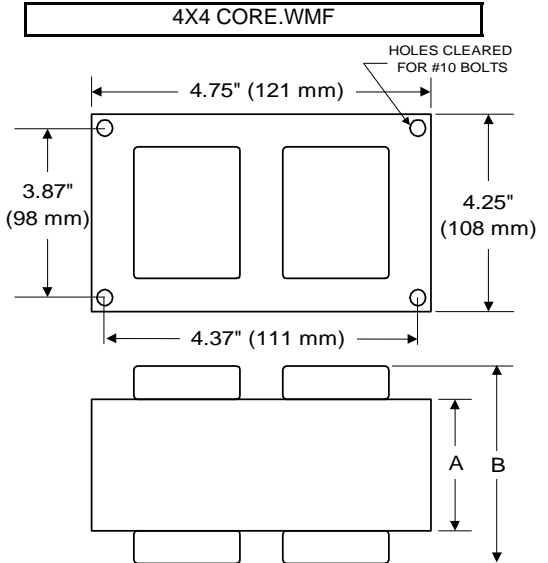
250W M58

Metal Halide

V90Y6212T

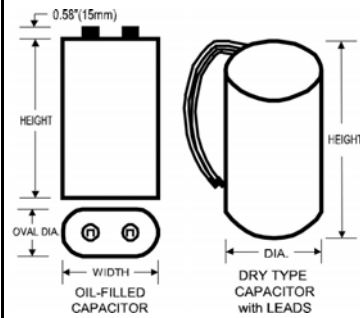
60 Hz CWA C&C

Input Volts	480
Line Current (Amps)	
Operating	0.63
Open Circuit	0.55
Starting	0.50
Recommended Fuse (Amps)	2
Regulation	
Line Volts	±10%
Lamp Watts	±10%
Temperature Ratings	
Insulation Class	180 (H)
Coil Temperature Code	B
Benchtop Coil Rise	
Power Factor (%) HPF	90
Input Watts	295 W
Efficiency	
NOM. Open Circuit Voltage	305
Input Voltage At Lamp Dropout	210
Min Ambient Starting Temp	-20°F/-30°C
60 HZ TEST PROCEDURES	
High Potential Test (Volts)	
1 Minute	2,000 V
1 Second	2,400 V
Open Circuit Voltage Test (V)	275 - 335
Short Circuit Current Test (A)	
Secondary Current	Min 2.20 Max 2.70
Input Current	Min 0.35 Max 0.55
CORE and COIL Specifications	
Dimension (A)	1.55 in
Dimension (B)	3.35 in
Weight	8.8 lb's
Lead Lengths	12 "
Capacitor Requirement	
Microfarads	15.0 uf
Volts (Min)	400 V



Capacitor: ACB2770V / ACG277 Ignitor: None

Microfarads:	15.0 uf	15.0 uf
Volts (Max):	400 V	400 V
Case Temp (Max)	100 °C	100 °C
Height (Max):	2.75 in	3.68 in
Dia (Max):	1.97 in	1.80 in
Oval Width (Max):	2.97 in	

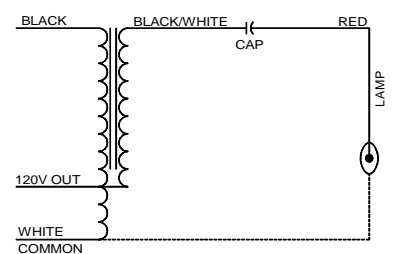


This Ballast Does Not Require An Ignitor

Ordering Information Add Suffix for options
 C - With Oil-Filled Capacitor
 CB - With Oil-Filled Capacitor and Welded Bracket
 B - With Welded Bracket, no Capacitor
 K - Prewired, with Dry Capacitor and Bracket Kit
 D - With Dry Capacitor
 DB - With Dry Capacitor and Welded Bracket

Data is based upon tests performed by Venture Lighting in a controlled environment and is representative of relative performance. Actual performance can vary depending on operating conditions. Specifications are subject to change without notice.

9/10/2008 Production Coil material: primary Cu and secondary Cu



RoHS