



BALLAST SPECIFICATION

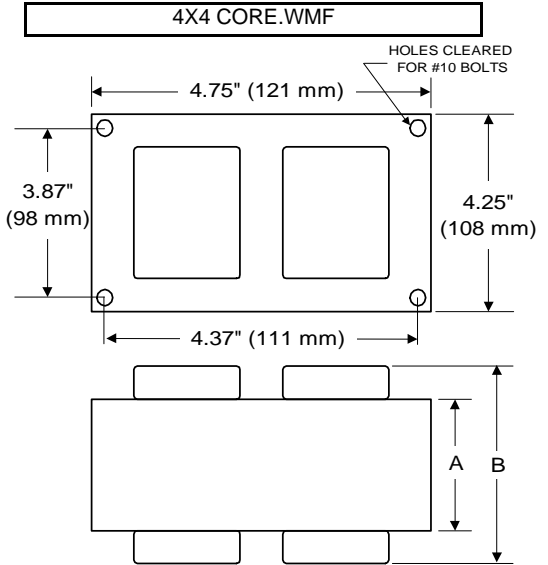
400W M59

Metal Halide

V90Y6413T

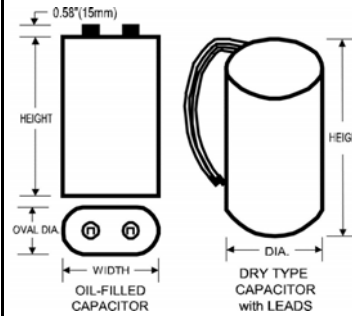
60 Hz CWA C&C

Input Volts	480			
Line Current (Amps)				
Operating	1.00			
Open Circuit	0.90			
Starting	0.70			
Recommended Fuse (Amps)	3			
Regulation				
Line Volts	±10%			
Lamp Watts	±10%			
Temperature Ratings				
Insulation Class	180 (H)			
Coil Temperature Code	E			
Benchtop Coil Rise	90.1			
Power Factor (%) HPF	90			
Input Watts	457 W			
Efficiency				
NOM. Open Circuit Voltage	300			
Input Voltage At Lamp Dropout	220			
Min Ambient Starting Temp	-40°F/-40°C			
60 HZ TEST PROCEDURES				
High Potential Test (Volts)				
1 Minute	2,000 V			
1 Second	2,400 V			
Open Circuit Voltage Test (V)	270 - 330			
Short Circuit Current Test (A)				
Secondary Current	Min 3.40			
	Max 4.20			
Input Current	Min 0.45			
	Max 0.70			
CORE and COIL Specifications				
Dimension (A)	2.15 in			
Dimension (B)	4.10 in			
Weight	11.5 lb's			
Lead Lengths	12 "			
Capacitor Requirement				
Microfarads	24.0 uf			
Volts (Min)	360 V			



Capacitor: ACB2470V / ACG247 Ignitor: None

Microfarads:	24.0 uf	24.0 uf
Volts (Max):	400 V	400 V
Case Temp (Max)	100 °C	100 °C
Height (Max):	3.25 in	4.67 in
Dia (Max):	1.97 in	1.80 in
Oval Width (Max):	2.97 in	

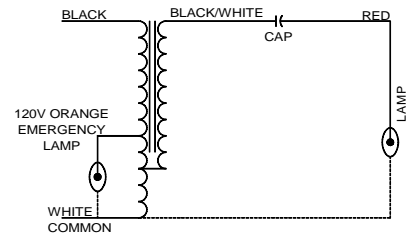


This Ballast Does Not Require An Ignitor

Ordering Information Add Suffix for options
 C - With Oil-Filled Capacitor
 CB - With Oil-Filled Capacitor and Welded Bracket
 B - With Welded Bracket, no Capacitor
 K - Prewired, with Dry Capacitor and Bracket Kit
 D - With Dry Capacitor
 DB - With Dry Capacitor and Welded Bracket

Data is based upon tests performed by Venture Lighting in a controlled environment and is representative of relative performance. Actual performance can vary depending on operating conditions. Specifications are subject to change without notice.

5/11/2018 Production Coil Material (PRI/SEC): Cu / Al



RoHS