



BALLAST SPECIFICATION

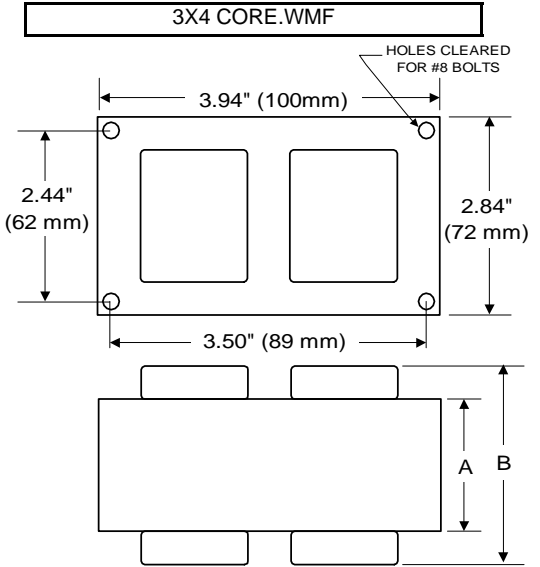
175W M57

Metal Halide

V90Z6150

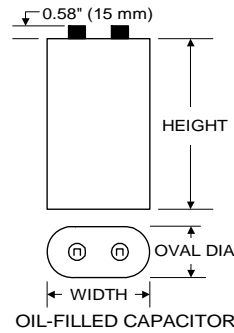
60 Hz CWI C&C

Input Volts	600				
Line Current (Amps)					
Operating	0.40				
Open Circuit	0.40				
Starting	0.20				
Recommended Fuse (Amps)	1				
Regulation					
Line Volts	±10%				
Lamp Watts	±10%				
Temperature Ratings					
Insulation Class	180 (H)				
Coil Temperature Code	D				
Benchtop Coil Rise					
Power Factor (%) HPF	90				
Input Watts	226 W				
Efficiency					
NOM. Open Circuit Voltage	315				
Input Voltage At Lamp Dropout	250				
Min Ambient Starting Temp	-20°F/-30°C				
60 HZ TEST PROCEDURES					
High Potential Test (Volts)					
1 Minute	2,200 V				
1 Second	2,700 V				
Open Circuit Voltage Test (V)	285 - 350				
Short Circuit Current Test (A)					
Secondary Current	Min 1.45				
	Max 1.80				
Input Current	Min 0.25				
	Max 0.40				
CORE and COIL Specifications					
Dimension (A)	2.65 in				
Dimension (B)	4.13 in				
Weight	9.0 lb's				
Lead Lengths	12 "				
Capacitor Requirement					
Microfarads	9.0 uf				
Volts (Min)	520 V				



Capacitor:	ACB1110V	Ignitor:	None
------------	----------	----------	------

Microfarads:	9.0 uf
Volts (Max):	520 V
Case Temp (Max)	100 °C
Height (Max):	3.94 in
Dia (Max):	1.62 in
Oval Width (Max):	2.75 in



This Ballast Does Not Require An Ignitor

Ordering Information Add Suffix for options
 C - With Oil-Filled Capacitor
 CB - With Oil-Filled Capacitor and Welded Bracket
 B - With Welded Bracket, no Capacitor
 K - Prewired, with Oil-Filled Capacitor and Bracket Kit

Data is based upon tests performed by Venture Lighting in a controlled environment and is representative of relative performance. Actual performance can vary depending on operating conditions. Specifications are subject to change without notice.

12/20/2013 **Production** Coil material: primary Cu and secondary Cu



RoHS

