



**BALLAST SPECIFICATION**

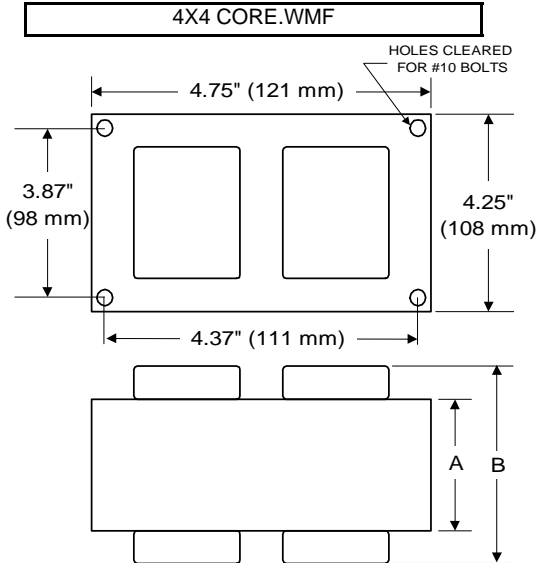
**250W M58**

**Metal Halide**

**V90Z6250**

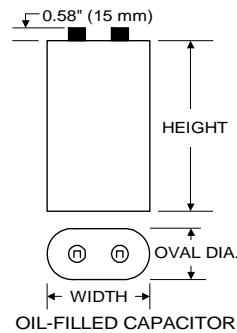
**60 Hz CWI C&C**

|                                |                      |  |  |  |
|--------------------------------|----------------------|--|--|--|
| Input Volts                    | 600                  |  |  |  |
| Line Current ( Amps )          |                      |  |  |  |
| Operating                      | 0.50                 |  |  |  |
| Open Circuit                   | 0.50                 |  |  |  |
| Starting                       | 0.20                 |  |  |  |
| Recommended Fuse (Amps)        | 2                    |  |  |  |
| Regulation                     |                      |  |  |  |
| Line Volts                     | ±10%                 |  |  |  |
| Lamp Watts                     | ±5%                  |  |  |  |
| Temperature Ratings            |                      |  |  |  |
| Insulation Class               | 180 (H)              |  |  |  |
| Coil Temperature Code          | D                    |  |  |  |
| Benchtop Coil Rise             |                      |  |  |  |
| Power Factor (%) HPF           | 90                   |  |  |  |
| Input Watts                    | 303 W                |  |  |  |
| Efficiency                     |                      |  |  |  |
| NOM. Open Circuit Voltage      | 300                  |  |  |  |
| Input Voltage At Lamp Dropout  |                      |  |  |  |
| Min Ambient Starting Temp      | -20°F/-30°C          |  |  |  |
| 60 HZ TEST PROCEDURES          |                      |  |  |  |
| High Potential Test (Volts)    |                      |  |  |  |
| 1 Minute                       | 2,200 V              |  |  |  |
| 1 Second                       | 2,700 V              |  |  |  |
| Open Circuit Voltage Test (V)  | 270 - 330            |  |  |  |
| Short Circuit Current Test (A) |                      |  |  |  |
| Secondary Current              | Min 2.20<br>Max 2.70 |  |  |  |
| Input Current                  | Min 0.13<br>Max 0.20 |  |  |  |
| CORE and COIL Specifications   |                      |  |  |  |
| Dimension (A)                  | 2.16 in              |  |  |  |
| Dimension (B)                  | 3.75 in              |  |  |  |
| Weight                         | 14.0 lb's            |  |  |  |
| Lead Lengths                   | 12 "                 |  |  |  |
| Capacitor Requirement          |                      |  |  |  |
| Microfarads                    | 12.0 uf              |  |  |  |
| Volts (Min)                    | 480 V                |  |  |  |



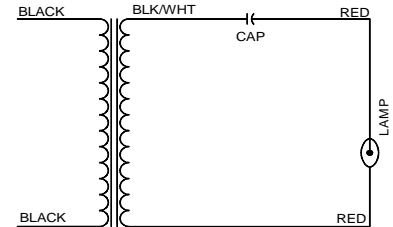
|            |          |          |      |
|------------|----------|----------|------|
| Capacitor: | ACB1700V | Ignitor: | None |
|------------|----------|----------|------|

|                   |         |
|-------------------|---------|
| Microfarads:      | 12.0 uf |
| Volts (Max):      | 480 V   |
| Case Temp (Max)   | 100 °C  |
| Height (Max):     | 3.19 in |
| Dia (Max):        | 1.97 in |
| Oval Width (Max): | 2.97 in |



**This Ballast Does Not Require An Ignitor**

**Ordering Information**    Add Suffix for options  
 C - With Oil-Filled Capacitor  
 CB - With Oil-Filled Capacitor and Welded Bracket  
 B - With Welded Bracket, no Capacitor  
 K - Prewired, with Oil-Filled Capacitor and Bracket Kit



Data is based upon tests performed by Venture Lighting in a controlled environment and is representative of relative performance. Actual performance can vary depending on operating conditions. Specifications are subject to change without notice.

**12/20/2013**    **Production**    Coil material: primary Cu and secondary Cu    **RoHS**